



Made in Italy

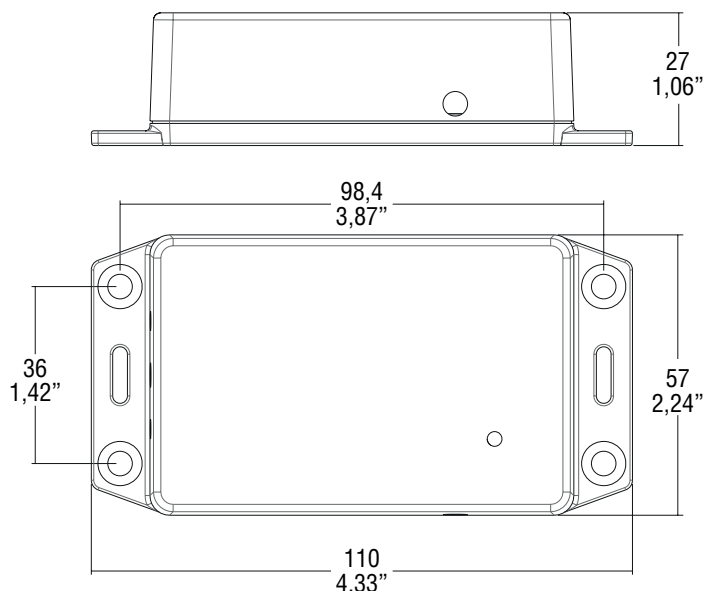
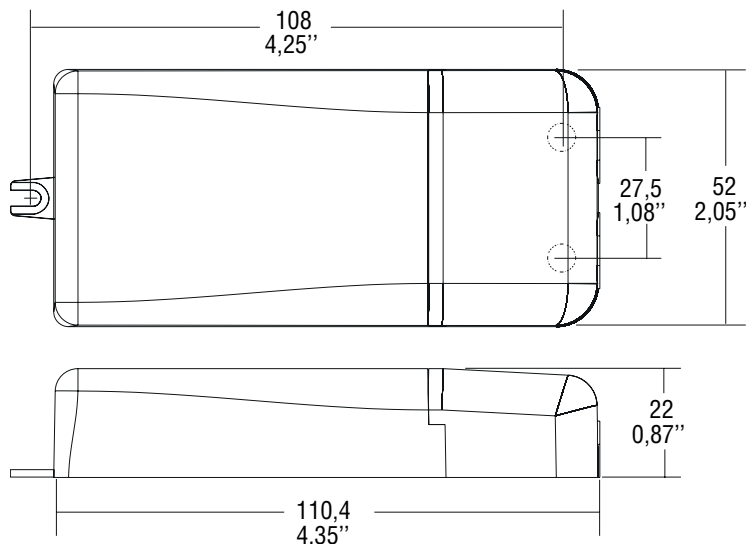


WUNT39A00

Alimentatori ed elettronica di controllo



KIT CONTROLLER AUDIO BLUETOOTH 3.0 CON ALIMENTATORE E AMPLIFICATORE (per sistema controllo vocale Alexa o Google)



- Tensione nominale: 100 ÷ 120V / 220 ÷ 240V
- Frequenza: 50...60 Hz
- Tensione di utilizzo AC: 90 ÷ 264V
- Tensione di utilizzo DC: 176 ÷ 264V

Potente modulo amplificatore stereo basato su integrato Texas Instruments TPA3118 in classe D in grado di erogare fino a 30W per canale. L'ampio range di alimentazione (8-26VDC) lo rende estremamente versatile per molteplici installazioni. Dispone di ingresso lineare analogico su connettore femmina jack 3,5mm e di connettività Bluetooth che permette lo stream audio da dispositivi quali smartphone, tablet, e PC.

Specifiche Tecniche:

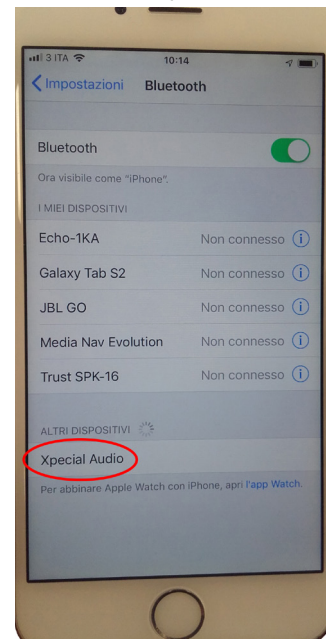
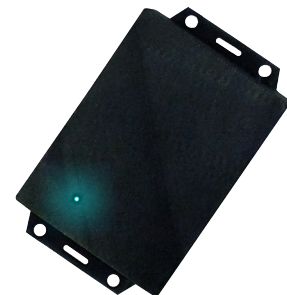
- Tipo: Stereo Bluetooth Digital Amplifier Board (bluetooth versione 4.2)
- Circuito Integrato: TPA3118
- Potenza di uscita: 2x30W
- Impedenza: 4, 6, 8 Ohm
- Tensione di ingresso: 8 -26 VDC corrente continua

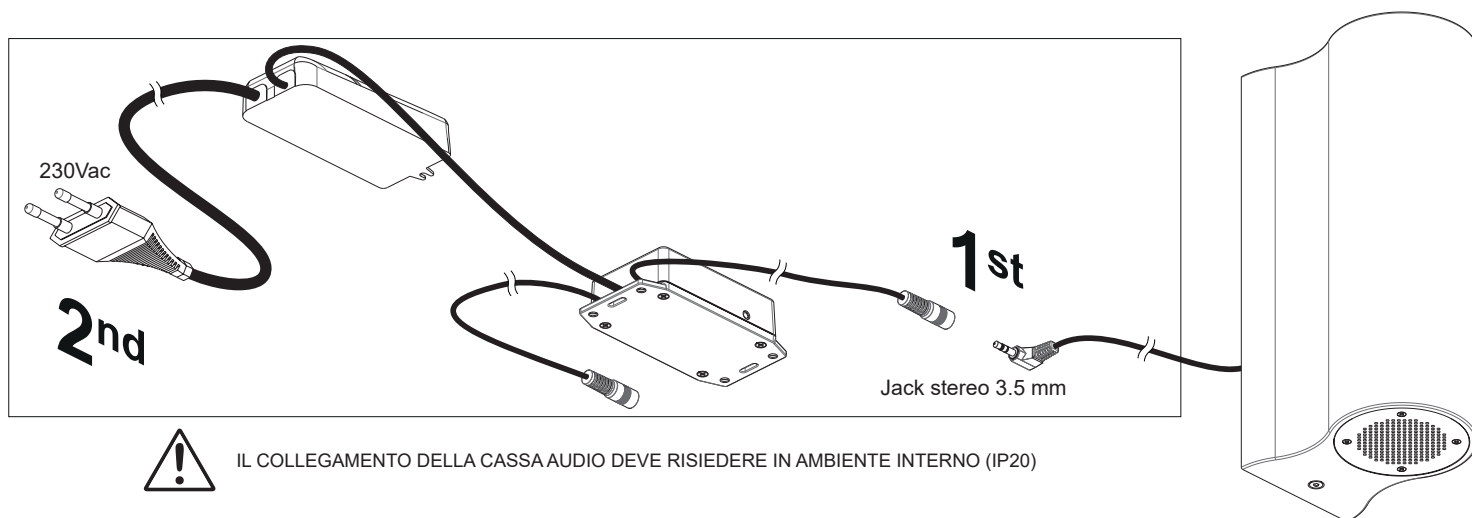
Il modulo TPA3118 presenta il bluetooth attivo fin dalla prima volta che viene alimentato. Un led blu ad alta luminosità presente nella parte superiore del circuito indica il funzionamento del bluetooth.

In fase di ricerca della sorgente bluetooth il led lampeggia velocemente (>1s), una volta stabilita la connessione il led resta acceso fisso, per tornare a lampeggiare lentamente (<1s) durante la riproduzione audio in streaming bluetooth.

Il modulo TPA3118 viene riconosciuto col nome "Xpecial Audio"; la conferma di avvenuta connessione si avrà dal cambio di stato del led che da lampeggiante rimane acceso fisso.

L'ingresso ausiliario su jack è sempre attivo, anche durante lo streaming bluetooth, si consiglia pertanto di dissociare il dispositivo connesso tramite bluetooth (e viceversa) per evitare sovrapposizioni e distorsioni audio indesiderate.







Made in Italy

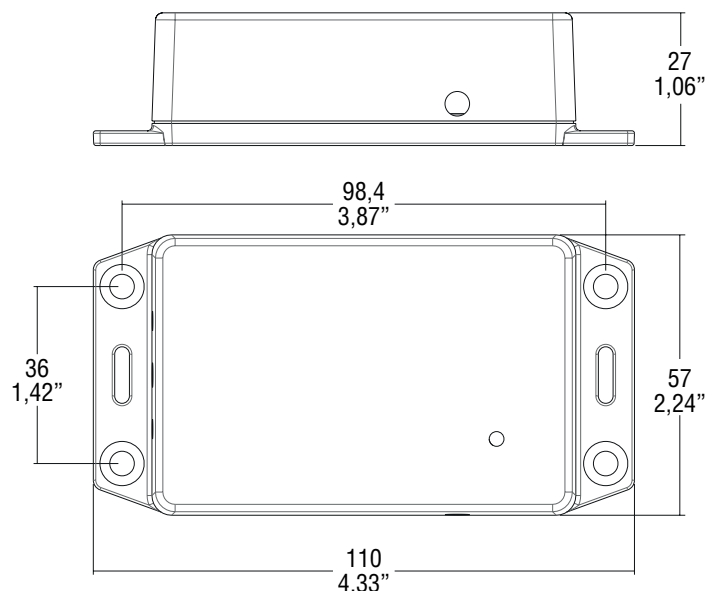
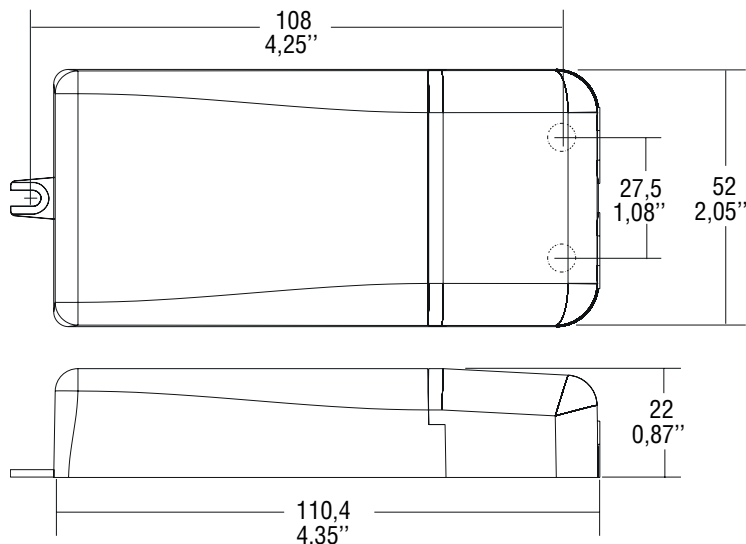


WUNT39A00

Power supply units and control gear



BLUETOOTH 3.0 AUDIO CONTROL KIT WITH POWER SUPPLY UNIT AND AMPLIFIER (for Alexa and Google voice-control systems)



- Rated voltage: 100 ÷ 120V / 220 ÷ 240V
- Frequency: 50...60 Hz
- AC Operation range: 90 ÷ 264V
- DC Operation range: 176 ÷ 264V

Powerful stereo amplifier module based on integrated Texas Instruments TPA3118 class D capable of delivering up to 30W per channel. The wide power range (8–26VDC) makes it extremely versatile for multiple installations. It has a linear analogue input on a 3.5-mm jack plug and Bluetooth connectivity, allowing audio streaming from devices such as smartphones, tablets, and PCs.

Technical specifications:

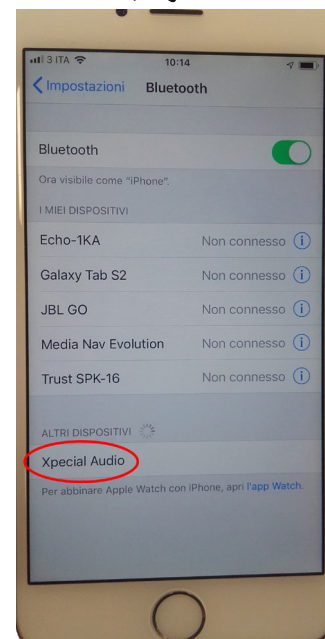
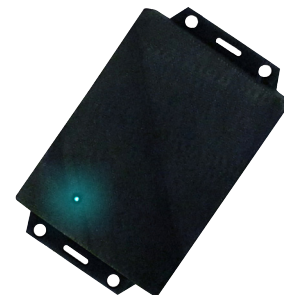
- Type: Stereo Bluetooth Digital Amplifier Board (Bluetooth version 4.2)
- Integrated circuit: TPA3118
- Output power: 2x30W
- Impedance: 4, 6, 8 Ohm
- Input voltage: 8 -26 VDC corrente continua

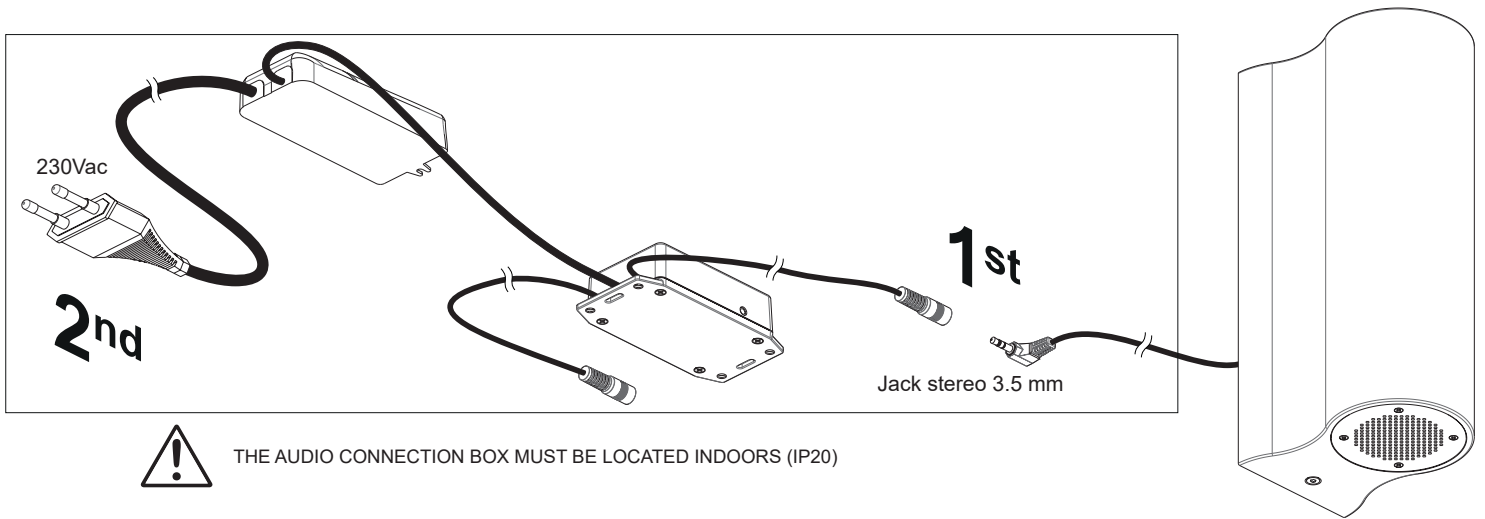
As soon as the TPA3118 module is powered on for the first time, Bluetooth is active on it. A high-brightness blue LED at the top of the circuit indicates that the Bluetooth is operating.

The LED flashes quickly (>1s) while the module searches for the Bluetooth source; it stays solid blue once the connection is established; it flashes slowly (<1s) during the audio playback in Bluetooth streaming mode.

The TPA3118 module is recognised under the name "Xpecial Audio"; the connection is confirmed by the LED's change of state from flashing to solid.

The auxiliary input on the jack is always active, even during Bluetooth streaming; we therefore recommend disassociating the device connected via Bluetooth (and vice versa) to avoid overlaps and unwanted audio distortions.





THE AUDIO CONNECTION BOX MUST BE LOCATED INDOORS (IP20)



Made in Italy

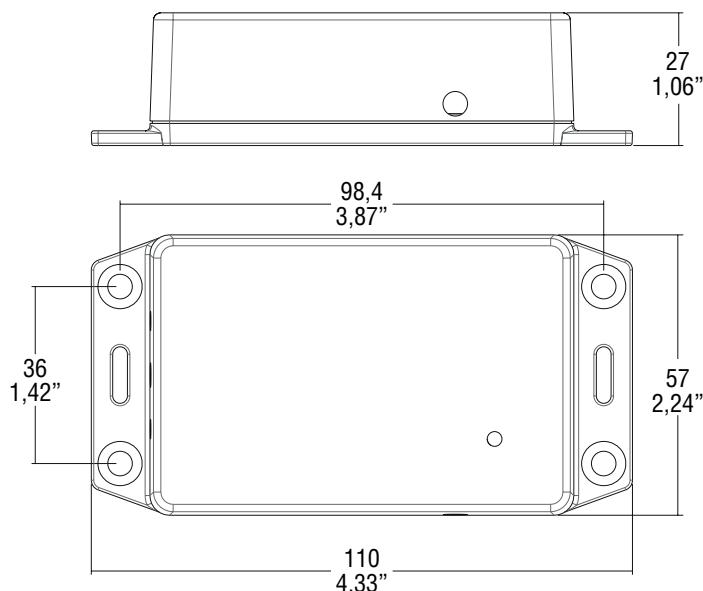
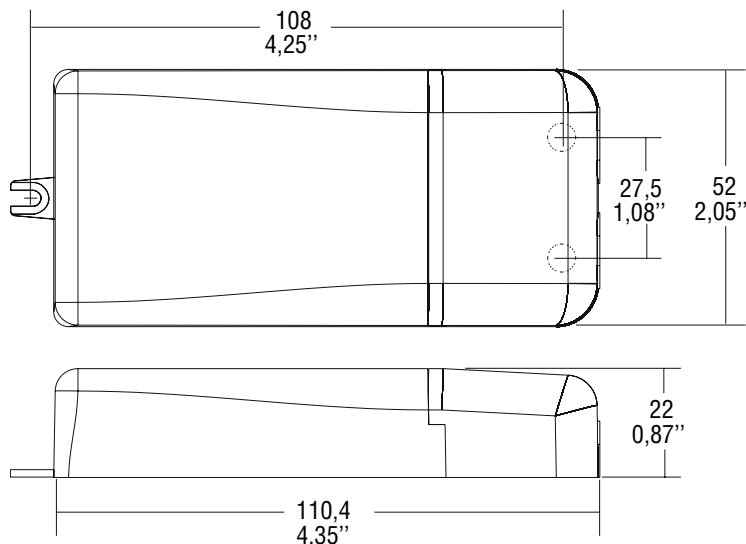


WUNT39A00

Unités d'alimentation et électronique de contrôle



KIT CONTRÔLEUR AUDIO BLUETOOTH 3.0 AVEC BOÎTIER D'ALIMENTATION ET AMPLIFICATEUR (pour système à commande vocale Alexa ou Google)



- Tension nominale: 100 ÷ 120V / 220 ÷ 240V
- Fréquence: 50...60 Hz
- Tension de fonctionnement AC: 90 ÷ 264V
- Tension d'utilisation CC: 176 ÷ 264V

Puissant module amplificateur stéréo basé sur le Texas Instruments TPA3118 intégré classe D capable de fournir jusqu'à 30 W par canal. La large plage d'alimentation (8-26 VDC) le rend extrêmement polyvalent pour de multiples installations. Il dispose d'une entrée linéaire analogique sur un connecteur femelle jack de 3,5 mm et d'une connectivité Bluetooth qui permet le flux audio à partir de périphériques tels que les smartphones, les tablettes et les PC.

Spécifications techniques :

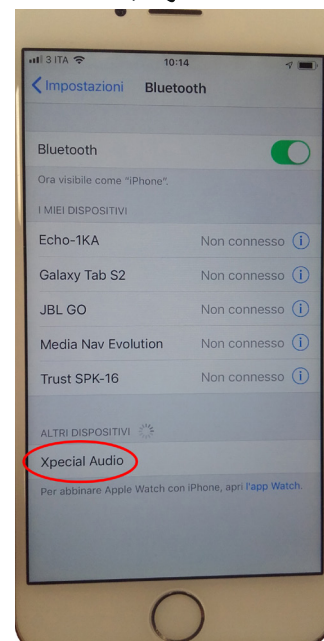
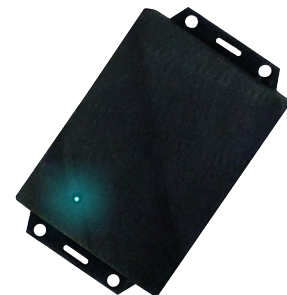
- Type : Stereo Bluetooth Digital Amplifier Board (Bluetooth version 4.2)
- Circuit intégré : TPA3118
- Puissance de sortie : 2x30W
- Impédance : 4, 6, 8 Ohm
- Tension d'entrée : 8 -26 VDC courant continu

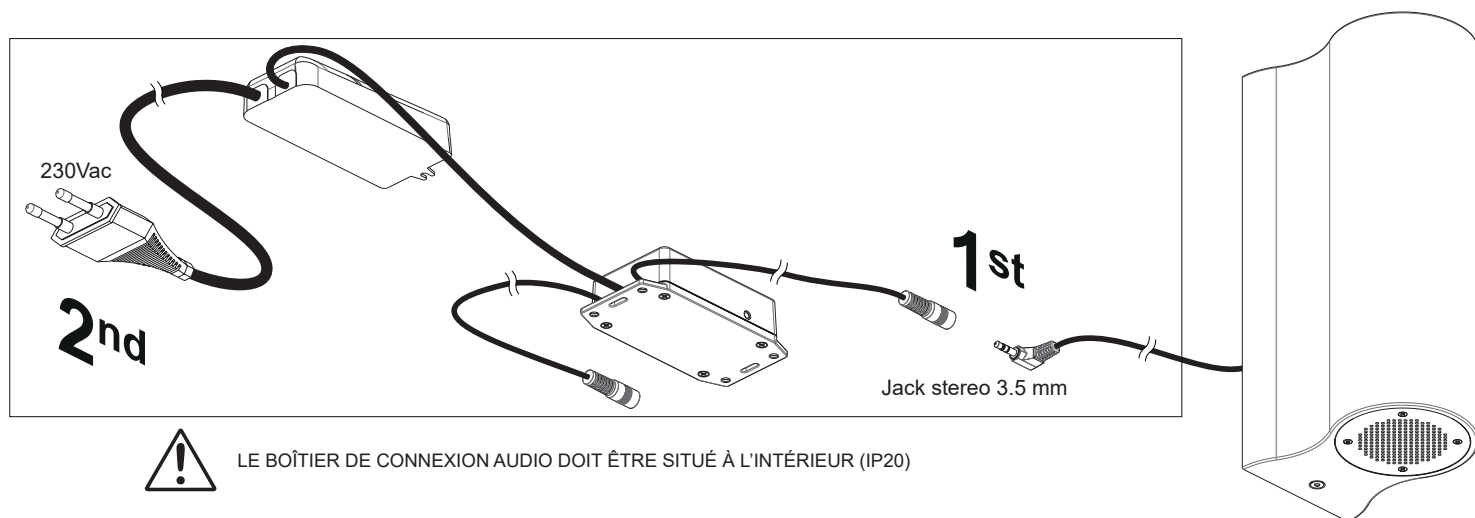
Le module TPA3118 est doté de la technologie Bluetooth active dès qu'il est mis sous tension. Une led bleue haute luminosité située dans la partie supérieure du circuit indique le fonctionnement du Bluetooth.

Lors de la recherche de la source Bluetooth, la led clignote rapidement (> 1 s). Une fois la connexion établie, elle reste allumée à lumière fixe, puis elle se met à clignoter lentement (<1s) lors de la lecture audio en streaming Bluetooth.

Le module TPA3118 est reconnu sous le nom « Xpecial Audio » ; le changement d'état de la led qui passe de clignotante à fixe confirme que la connexion est établie.

L'entrée auxiliaire sur le jack est toujours active, même pendant le streaming Bluetooth. Il est donc conseillé de dissocier le périphérique connecté via Bluetooth (et inversement) pour éviter les chevauchements et les distorsions audio indésirables.







Made in Italy

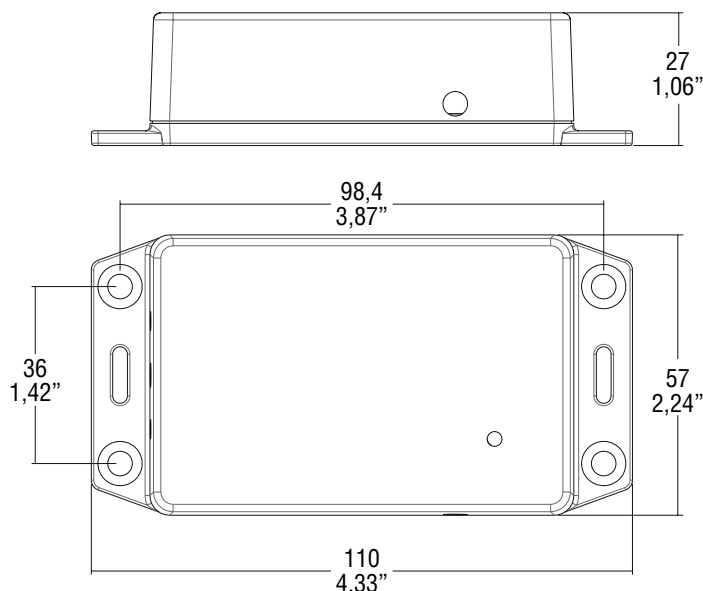
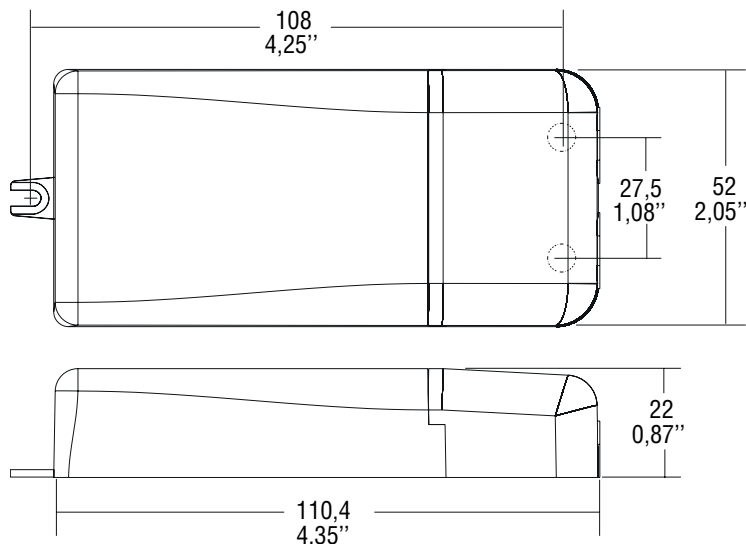


WUNT39A00

Power supply units and control gear



BLUETOOTH 3.0 AUDIO CONTROL KIT WITH POWER SUPPLY UNIT AND AMPLIFIER (for Alexa and Google voice-control systems)



- Rated voltage: 100 ÷ 120V / 220 ÷ 240V
- Frequency: 50...60 Hz
- AC Operation range: 90 ÷ 264V
- DC Operation range: 176 ÷ 264V

Powerful stereo amplifier module based on integrated Texas Instruments TPA3118 class D capable of delivering up to 30W per channel. The wide power range (8–26VDC) makes it extremely versatile for multiple installations. It has a linear analogue input on a 3.5-mm jack plug and Bluetooth connectivity, allowing audio streaming from devices such as smartphones, tablets, and PCs.

Technical specifications:

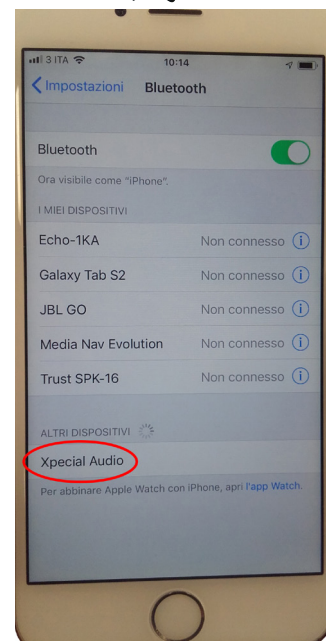
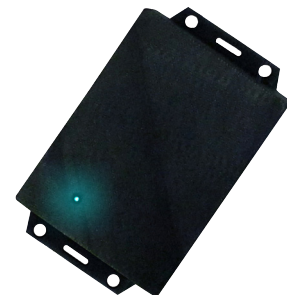
- Type: Stereo Bluetooth Digital Amplifier Board (Bluetooth version 4.2)
- Integrated circuit: TPA3118
- Output power: 2x30W
- Impedance: 4, 6, 8 Ohm
- Input voltage: 8 -26 VDC corrente continua

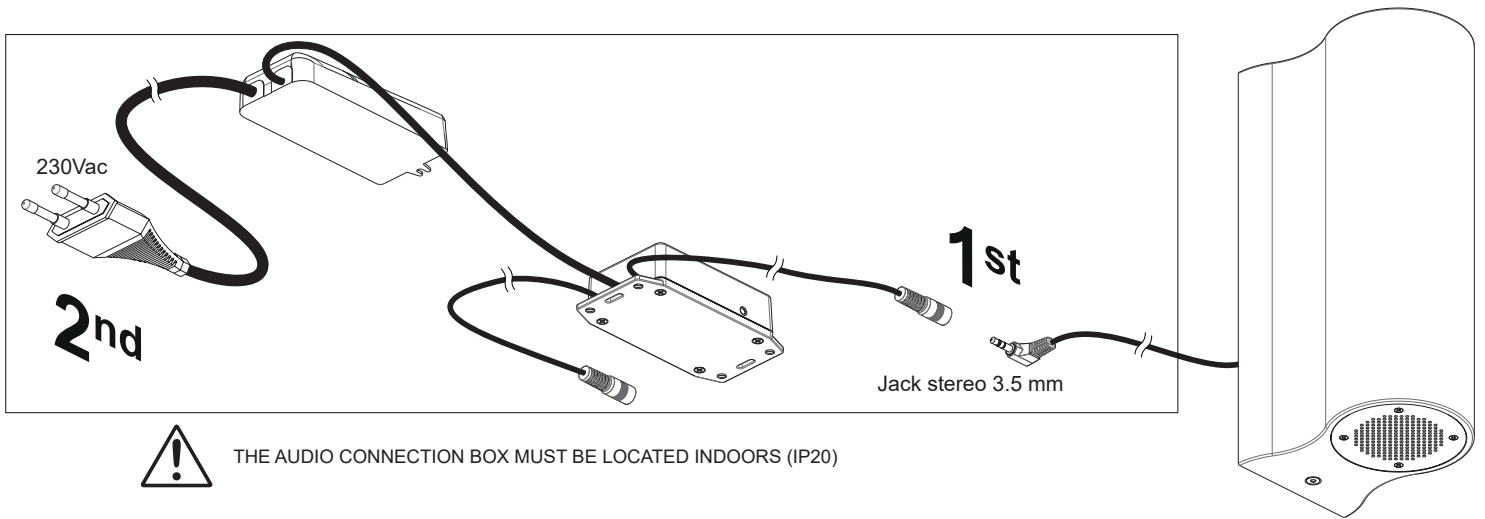
As soon as the TPA3118 module is powered on for the first time, Bluetooth is active on it. A high-brightness blue LED at the top of the circuit indicates that the Bluetooth is operating.

The LED flashes quickly (>1s) while the module searches for the Bluetooth source; it stays solid blue once the connection is established; it flashes slowly (<1s) during the audio playback in Bluetooth streaming mode.

The TPA3118 module is recognised under the name "Xpecial Audio"; the connection is confirmed by the LED's change of state from flashing to solid.

The auxiliary input on the jack is always active, even during Bluetooth streaming; we therefore recommend disassociating the device connected via Bluetooth (and vice versa) to avoid overlaps and unwanted audio distortions.







Made in Italy

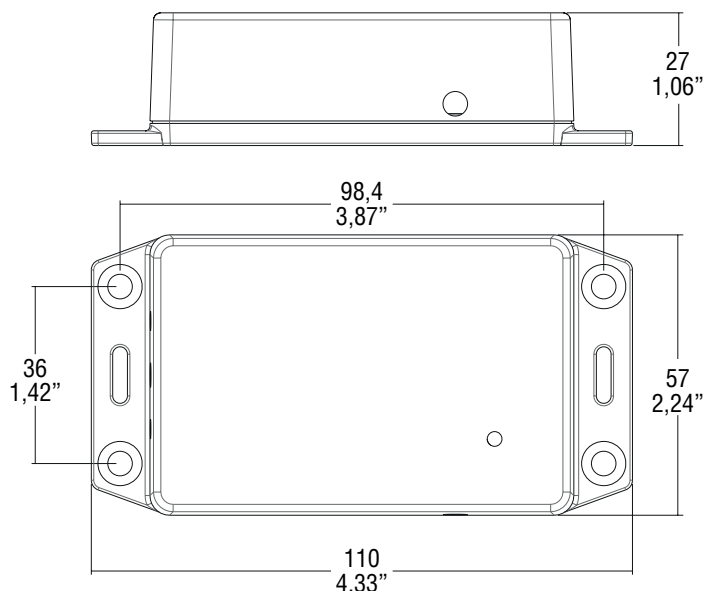
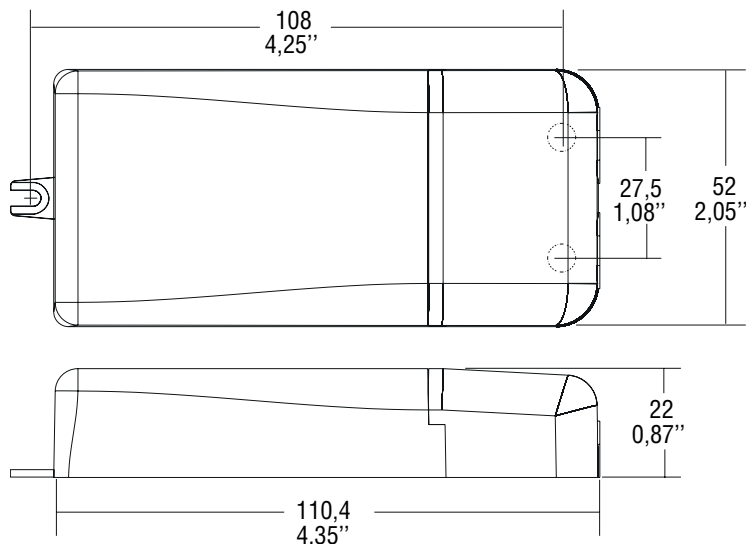


WUNT39A00

Unidades de alimentación y electrónica de control

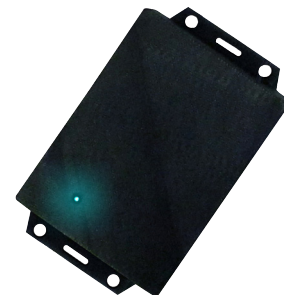


KIT DE CONTROL AUDIO BLUETOOTH 3.0 CON ALIMENTADOR Y AMPLIFICADOR (para sistema de control de voz Alexa o Google)



- Tensión nominal: 100 ÷ 120V / 220 ÷ 240V
- Frecuencia: 50...60 Hz
- Voltaje de uso CA: 90 ÷ 264V
- Voltaje de operación CD: 176 ÷ 264V

Potente módulo de amplificador estéreo basado en el integrado Texas Instruments TPA3118 de clase D, capaz de producir hasta 30W por canal. El amplio rango de alimentación (8-26VCD) hace que el producto sea muy versátil para múltiples instalaciones. Tiene una entrada lineal analógica para conector hembra de 3,5 mm y conectividad Bluetooth que permite la reproducción de audio desde dispositivos como teléfonos inteligentes, tabletas y ordenadores.



Detalles técnicos:

- Tipo: Stereo Bluetooth Digital Amplifier Board (Bluetooth versión 4.2)
- Circuito integrado: TPA3118
- Potencia de salida: 2x30W
- Impedancia: 4, 6, 8 Ohm
- Tensión de entrada: 8 -26 VCD corriente continua

En el módulo TPA3118 se activa el Bluetooth desde la primera vez que recibe alimentación. Un LED azul de alto brillo en la parte superior del circuito indica el funcionamiento del bluetooth.

Al buscar la fuente de bluetooth, el LED parpadea rápidamente (> 1s), una vez se establecida la conexión el LED permanece encendido, para volver a parpadear lentamente (<1s) durante la reproducción de audio en reproducción bluetooth.

El módulo TPA3118 se reconoce con el nombre "Xpecial Audio"; se confirma que se ha realizado la conexión porque el LED deja de parpadear para permanecer encendido.

La entrada auxiliar para la clavija siempre está activa, incluso durante la transmisión con bluetooth, por lo tanto, es aconsejable disociar el dispositivo conectado a través de bluetooth (y viceversa) para evitar solapamientos y distorsiones de audio no deseadas.

