



TLR04M-350-500

Power supply units and control gears
Alimentatori ed elettronica di controllo



Technical specs:

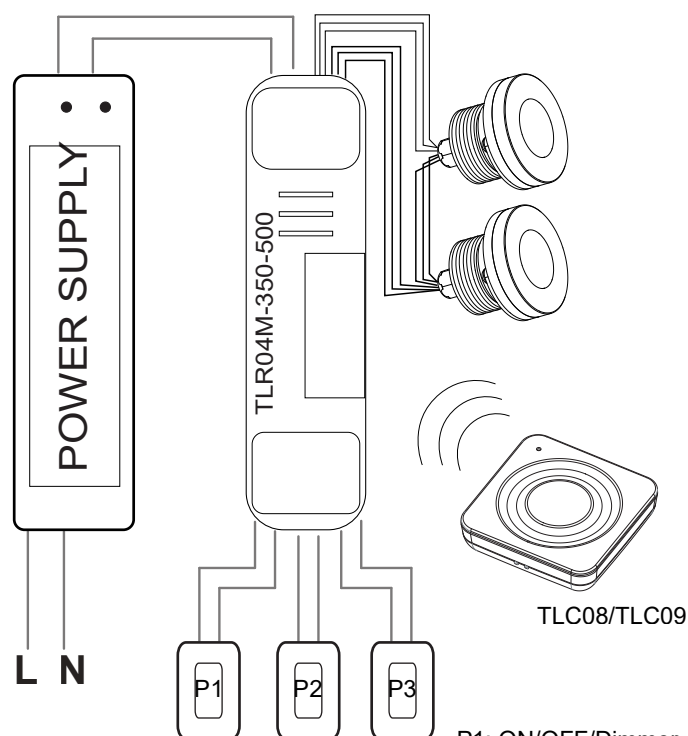
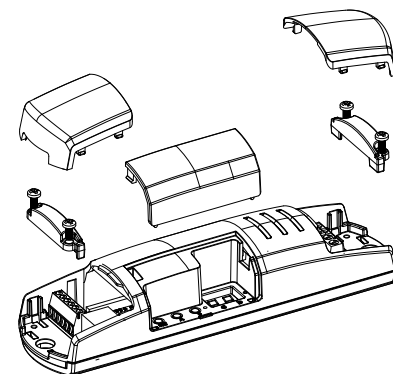
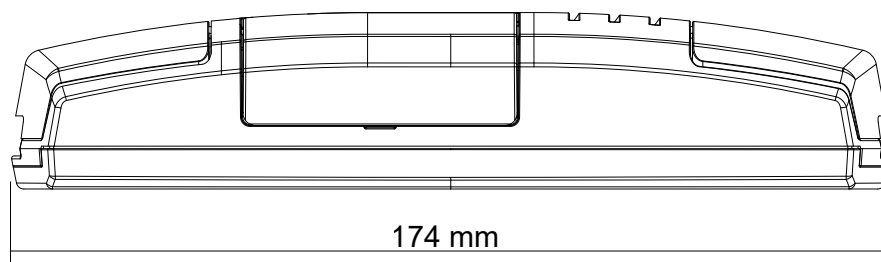
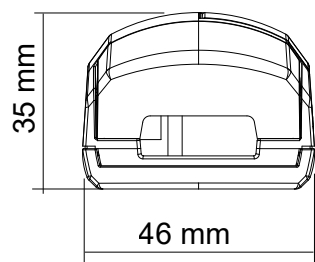
TLR04M-350-500

Power supply: 12/24/36 Vdc
 Output: 3 channels, 350/500 mA
 Output: max 3 LED/ch @12Vdc
 max 6 LED/ch @24Vdc
 max 9 LED/ch @36Vdc
 Code: rolling code
 Dimensions: L174×W46×H35 (mm)
 Radio frequency: 433.92 MHz
 Range: 100m (40m inside buildings)
 Ta: -20°C - +55°C

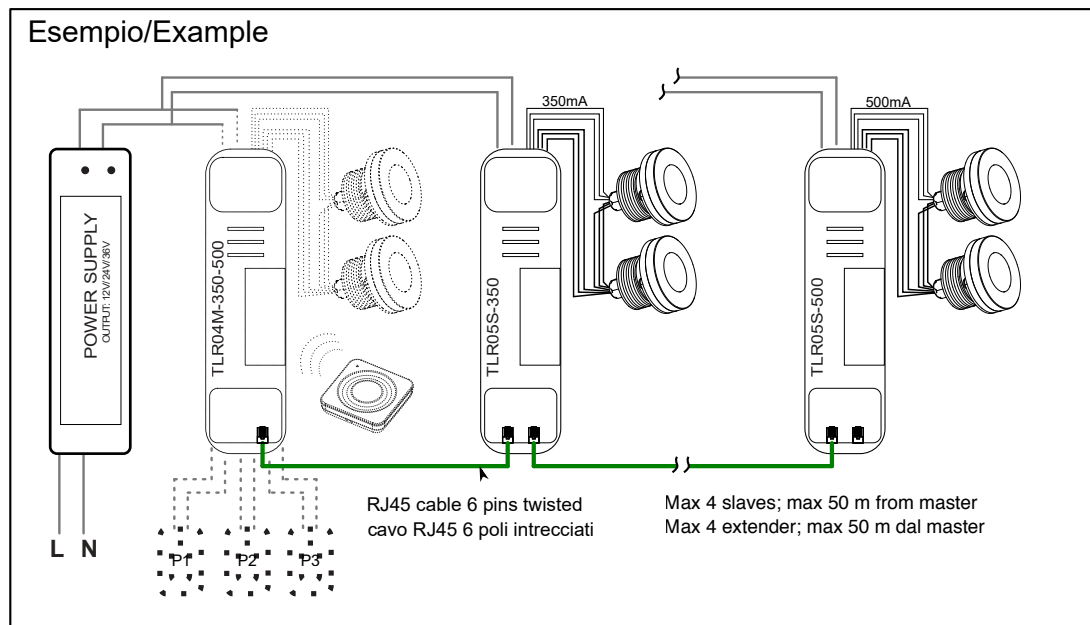
Dati tecnici:

TLR04M-350-500

Alimentazione: 12/24/36 Vdc
 Uscita: 3 canali, 350/500 mA
 Uscita: max 3 LED/canale @12Vdc
 max 6 LED/canale @24Vdc
 max 9 LED/canale @36Vdc
 Codifica: rolling code
 Dimensioni: L174×W46×H35 (mm)
 Frequenza radio: 433.92 MHz
 Portata: 100m (40m in interno)
 Ta: -20°C - +55°C



P1: ON/OFF/Dimmer
 P2: Cambio colore da palette; colour change from palette
 P3: Start/stop ciclo, set up velocità; start/stop cycle, speeds set-up



RJ45 cable 6 pins twisted
cavo RJ45 6 poli intrecciati
 Max 4 slaves; max 50 m from master
 Max 4 extender; max 50 m dal master