

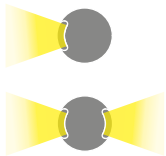
OUTDOOR STEP LIGHTS WALKWAY LIGHTING

2700K 3000K 4000K 5000K blue

CONSTANT CURRENT

CONSTANT VOLTAGE

RADIAL OPTICS ROUND COVER

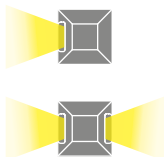


BEAM 2.0 p. 408
single beam: max 2W max 500mA
double beam: max 2W max 350mA



BEAM 2.6 p. 409
single beam, double beam: 2W 24Vdc

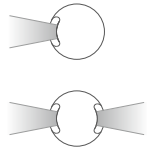
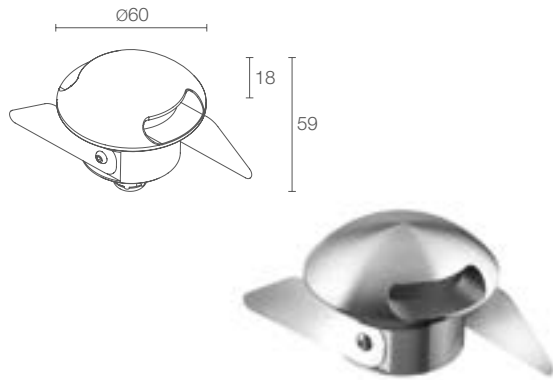
RADIAL OPTICS SQUARE COVER



BEAM 2.1 p. 408
single beam: max 2W max 500mA
double beam: max 2W max 350mA



BEAM 2.7 p. 409
single beam, double beam: 2W 24Vdc



BEAM 2.0

Ø 80 mm
H 100 mm
Ø 45 mm



kg 0.25
kg 0.47 steel
IP67 IK09



POWER / POWER SUPPLY CODE

max 2W max 500mA single beam
CD2012 ■ **D A I** - ■ Stainless steel
CD2012 ■ **D A F** - ■ Grey
CD2012 ■ **D A H** - ■ Anthracite
 max 2W max 350mA double beam
CD2021 ■ **D A I** - ■ Stainless steel
CD2021 ■ **D A F** - ■ Grey
CD2021 ■ **D A H** - ■ Anthracite

LED COLOUR

F - 2700K
5 - 3000K
9 - 4000K
0 - 5000K
1 - blue

POWER CABLES

includes 1.5 m neoprene cable
 H05RN-F 2x0.35/0.75 Ø6.3 mm
1 - 5 m
2 - 10 m
3 - 15 m
4 - 20 m

OPTICS

radial

LUMEN OUTPUT AT SOURCE
 single beam: 145 lm (3000K, 500mA)
 double beam: 224 lm (3000K, 350mA)

DELIVERED LUMEN OUTPUT
 single beam: 70 lm (3000K, 500mA)
 double beam: 102 lm (3000K, 350mA)

NO. AND TYPE OF LED
 single beam: 1 power LED
 double beam: 2 power LEDs
 1/4 ANSI BIN (white LED colour)
 50000h L90 B10 (Ta 25°C)

MATERIAL
 body in stainless steel or anodized aluminium
 trim in stainless steel or aluminium
 screen in sandblasted plexiglass

POWER SUPPLY UNIT
 not included, see p. 904

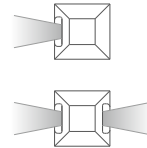
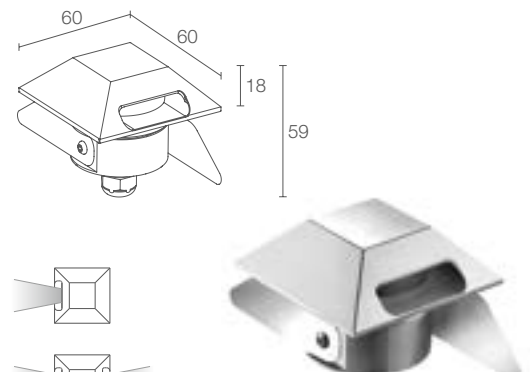
WIRING
 series

MOUNTING
 recessed (wall, ground)

ACCESSORIES
 see p. 411

NOTES
 certified ETL version available on request

PHOTOMETRIC DATA
 see p. 781



BEAM 2.1

Ø 80 mm
H 100 mm
Ø 45 mm



kg 0.25
kg 0.47 steel
IP67 IK09



max 2W max 500mA single beam
CD2112 ■ **D A I** - ■ Stainless steel
CD2112 ■ **D A F** - ■ Grey
CD2112 ■ **D A H** - ■ Anthracite
 max 2W max 350mA double beam
CD2121 ■ **D A I** - ■ Stainless steel
CD2121 ■ **D A F** - ■ Grey
CD2121 ■ **D A H** - ■ Anthracite

F - 2700K
5 - 3000K
9 - 4000K
0 - 5000K
1 - blue

includes 1.5 m neoprene cable
 H05RN-F 2x0.35/0.75 Ø6.3 mm
1 - 5 m
2 - 10 m
3 - 15 m
4 - 20 m

radial

LUMEN OUTPUT AT SOURCE
 single beam: 145 lm (3000K, 500mA)
 double beam: 224 lm (3000K, 350mA)

DELIVERED LUMEN OUTPUT
 single beam: 70 lm (3000K, 500mA)
 double beam: 102 lm (3000K, 350mA)

NO. AND TYPE OF LED
 single beam: 1 power LED
 double beam: 2 power LEDs
 1/4 ANSI BIN (white LED colour)
 50000h L90 B10 (Ta 25°C)

MATERIAL
 body in stainless steel or anodized aluminium
 trim in stainless steel or aluminium
 screen in sandblasted plexiglass

POWER SUPPLY UNIT
 not included, see p. 904

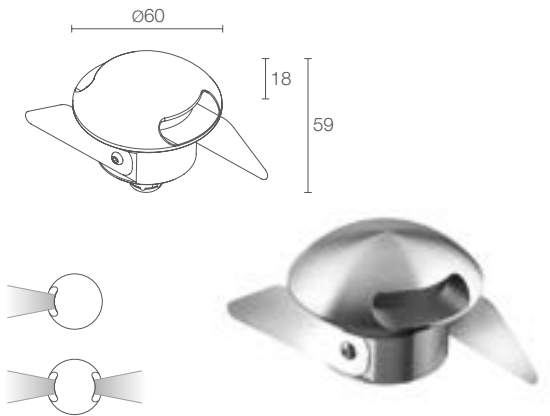
series

recessed (wall, ground)

see p. 411

certified ETL version available on request

see p. 781



BEAM 2.6

Ø 80 mm
H 100 mm
Ø 45 mm



kg 0.25
kg 0.47 steel IP67 IK09

A A+ A++ IPS CASAMBI T max 60°C

2W 24Vdc single beam
CD2612 ■ **D I** - ■ Stainless steel
CD2612 ■ **D F** - ■ Grey
CD2612 ■ **D H** - ■ Anthracite

2W 24Vdc double beam
CD2621 ■ **D I** - ■ Stainless steel
CD2621 ■ **D F** - ■ Grey
CD2621 ■ **D H** - ■ Anthracite

■	F - 2700K 5 - 3000K 9 - 4000K 0 - 5000K 1 - blue
■	includes 1.5 m neoprene cable H05RN-F 2x0.35/0.75 Ø6.3 mm 1 - 5 m 2 - 10 m 3 - 15 m 4 - 20 m

radial

single beam: 145 lm (3000K)
double beam: 224 lm (3000K)

single beam: 70 lm (3000K)
double beam: 102 lm (3000K)

single beam: 1 power LED
double beam: 2 power LEDs
1/4 ANSI BIN (white LED colour)
50000h L90 B10 (Ta 25°C)

body in stainless steel or anodized aluminium
trim in stainless steel or aluminium
screen in sandblasted plexiglass

not included, see p. 904

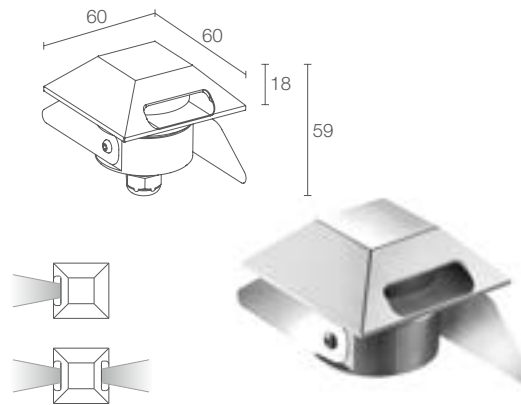
parallel

recessed (wall, ground)

see p. 411

certified ETL version available on request

see p. 781



BEAM 2.7

Ø 80 mm
H 100 mm
Ø 45 mm



kg 0.25
kg 0.47 steel IP67 IK09

A A+ A++ IPS CASAMBI T max 60°C

2W 24Vdc single beam
CD2712 ■ **D I** - ■ Stainless steel
CD2712 ■ **D F** - ■ Grey
CD2712 ■ **D H** - ■ Anthracite

2W 24Vdc double beam
CD2721 ■ **D I** - ■ Stainless steel
CD2721 ■ **D F** - ■ Grey
CD2721 ■ **D H** - ■ Anthracite

■	F - 2700K 5 - 3000K 9 - 4000K 0 - 5000K 1 - blue
■	includes 1.5 m neoprene cable H05RN-F 2x0.35/0.75 Ø6.3 mm 1 - 5 m 2 - 10 m 3 - 15 m 4 - 20 m

radial

single beam: 145 lm (3000K)
double beam: 224 lm (3000K)

single beam: 70 lm (3000K)
double beam: 102 lm (3000K)

single beam: 1 power LED
double beam: 2 power LEDs
1/4 ANSI BIN (white LED colour)
50000h L90 B10 (Ta 25°C)

body in stainless steel or anodized aluminium
trim in stainless steel or aluminium
screen in sandblasted plexiglass

not included, see p. 904

parallel

recessed (wall, ground)

see p. 411

certified ETL version available on request

see p. 781





ACCESSORIES

ACCESSORIES
FOR INSTALLATION**WC1501**

Outer casing



OUTDOOR STEP LIGHTS

BEAM 2.0
2.1
2.6
2.7

