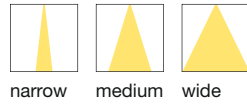
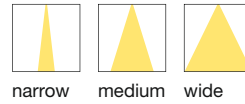


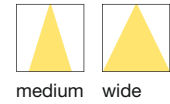
2700K 3000K 4000K 5000K blue RGB



2700K 3000K 4000K



2700K 3000K 4000K



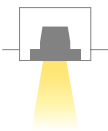
WITHOUT FRAME

CONSTANT CURRENT

MAINS VOLTAGE

MAINS VOLTAGE

SINGLE BEAM



QUAD 6.1 p. 526
max 6W max 500mA

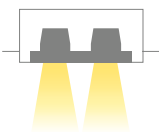


QUAD MAXI 2.1 p. 530
8W 230Vac
DALI, 1-10V, ON/OFF



QUAD MAXI 4.1 p. 534
14W 230Vac
DALI, 1-10V, ON/OFF

DOUBLE BEAM



QUAD 6.2 p. 527
max 12W max 500mA

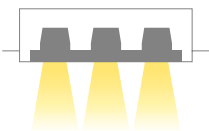


QUAD MAXI 2.2 p. 531
14,5W 230Vac
DALI, 1-10V, ON/OFF



QUAD MAXI 4.2 p. 535
26W 230Vac
DALI, 1-10V, ON/OFF

3 BEAMS



QUAD 6.3 p. 527
max 18W max 500mA



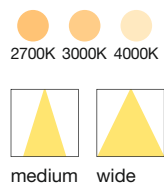
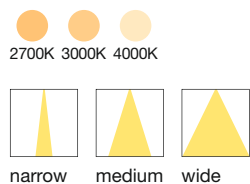
QUAD MAXI 2.3 p. 531
22W 230Vac
DALI, 1-10V, ON/OFF



QUAD MAXI 4.3 p. 535
40W 230Vac
DALI, 1-10V, ON/OFF

QUAD

INDOOR RECESSED DOWNLIGHTS
FALSE CEILINGS IN RETAIL SPACES AND PRIVATE HOMES

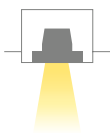


WITH FRAME

MAINS VOLTAGE

MAINS VOLTAGE

SINGLE BEAM

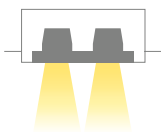


QUAD MAXI 1.1 p. 528
8W 230Vac
DALI, 1-10V, ON/OFF



QUAD MAXI 3.1 p. 532
14W 230Vac
DALI, 1-10V, ON/OFF

DOUBLE BEAM



QUAD MAXI 1.2 p. 529
14,5W 230Vac
DALI, 1-10V, ON/OFF



QUAD MAXI 3.2 p. 533
26W 230Vac
DALI, 1-10V, ON/OFF

3 BEAMS



QUAD MAXI 1.3 p. 529
22W 230Vac
DALI, 1-10V, ON/OFF



QUAD MAXI 3.3 p. 533
40W 230Vac
DALI, 1-10V, ON/OFF

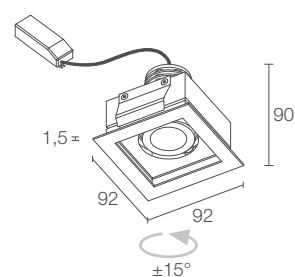
QUAD MAXI 1

✓
QUAD MAXI 1.1
 4000K, 8W, 29°

Light planning by / Studio Luce Sacchi
 Sordi Gioielli, Varedo, Monza and Brianza, Italy



QUAD MAXI 1.1



175x175 mm
 H 150 mm

75x75 mm

CE LED TECH IP40 IP43 installed
 A A+ A++ kg 0.30

POWER / POWER SUPPLY CODE

8W 230Vac
MQ1110 ■ ■ **B** White

8W 230Vac 1-10V + PUSH
MQ1110 ■ ■ **BR** White

8W 230Vac DALI + PUSH
MQ1110 ■ ■ **BD** White

LED COLOUR

F - 2700K
5 - 3000K
9 - 4000K

OPTICS

S - 20° tiltable ±15°
M - 29° tiltable ±15°
L - 54° tiltable ±15°

LUMEN OUTPUT AT SOURCE

512 lm (3000K)

DELIVERED LUMEN OUTPUT

425 lm (3000K, 29°)

NO. AND TYPE OF LED

1 multichip power LED
 2-step MacAdam, 50000h L90 B10 (Ta 25°C)

MATERIAL

body in anodized aluminium
 trim in steel

POWER SUPPLY UNIT

included and wired

POWER CABLES

includes 0.30 m cable

MOUNTING

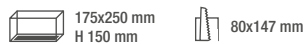
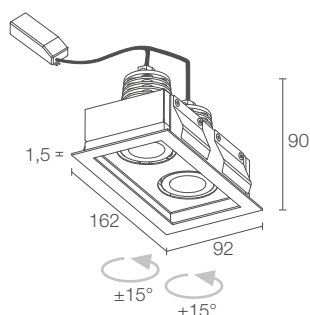
recessed (ceiling)

PHOTOMETRIC DATA

see p. 802



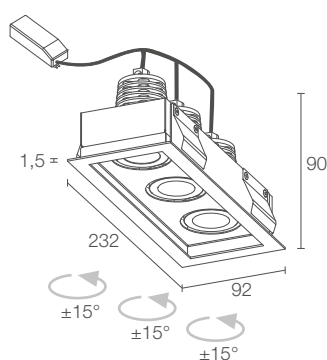
QUAD MAXI 1.2



14.5W 230Vac
MQ1210 ■ ■ B White
 14.5W 230Vac 1-10V + PUSH
MQ1210 ■ ■ BR White
 14.5W 230Vac DALI + PUSH
MQ1210 ■ ■ BD White



QUAD MAXI 1.3



22W 230Vac
MQ1310 ■ ■ B White
 22W 230Vac 1-10V + PUSH
MQ1310 ■ ■ BR White
 22W 230Vac DALI + PUSH
MQ1310 ■ ■ BD White

■	F - 2700K 5 - 3000K 9 - 4000K
■	S - 20° tiltable ±15° M - 29° tiltable ±15° L - 54° tiltable ±15°
512 lm (3000K) per beam	
425 lm (3000K, 29°) per beam	
2 multichip power LEDs 2-step MacAdam, 50000h L90 B10 (Ta 25°C)	
body in anodized aluminium trim in steel	
included and wired	
includes 0.30 m cable	
recessed (ceiling)	
see p. 802	

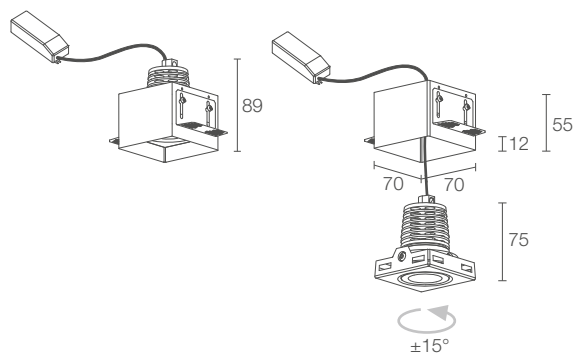
■	F - 2700K 5 - 3000K 9 - 4000K
■	S - 20° tiltable ±15° M - 29° tiltable ±15° L - 54° tiltable ±15°
512 lm (3000K) per beam	
425 lm (3000K, 29°) per beam	
3 multichip power LEDs 2-step MacAdam, 50000h L90 B10 (Ta 25°C)	
body in anodized aluminium trim in steel	
included and wired	
includes 0.30 m cable	
recessed (ceiling)	
see p. 802	

QUAD MAXI 2

✓
QUAD MAXI 2.1
 3000K, 8W, 29°



QUAD MAXI 2.1



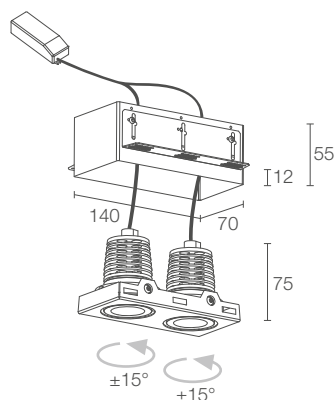
Required outer casing, not included



POWER / POWER SUPPLY CODE	8W 230Vac MQ2110 ■ ■ B White 8W 230Vac 1-10V + PUSH MQ2110 ■ ■ BR White 8W 230Vac DALI + PUSH MQ2110 ■ ■ BD White
LED COLOUR	F - 2700K 5 - 3000K 9 - 4000K
OPTICS	S - 20° tilttable ±15° M - 29° tilttable ±15° L - 54° tilttable ±15°
LUMEN OUTPUT AT SOURCE	512 lm (3000K)
DELIVERED LUMEN OUTPUT	425 lm (3000K, 29°)
NO. AND TYPE OF LED	1 multichip power LED 2-step MacAdam, 50000h L90 B10 (Ta 25°C)
MATERIAL	body in anodized aluminium trim in steel
POWER SUPPLY UNIT	included and wired
POWER CABLES	includes 0.30 m cable
MOUNTING	recessed (ceiling)
ACCESSORIES	see p. 536
PHOTOMETRIC DATA	see p. 802



QUAD MAXI 2.2



Required outer casing, not included



14.5W 230Vac
MQ2210 ■ ■ B White

14.5W 230Vac 1-10V + PUSH
MQ2210 ■ ■ BR White

14.5W 230Vac DALI + PUSH
MQ2210 ■ ■ BD White

■ F - 2700K
5 - 3000K
9 - 4000K

■ S - 20° tilttable ±15°
M - 29° tilttable ±15°
L - 54° tilttable ±15°

512 lm (3000K) per beam

425 lm (3000K, 29°) per beam

2 multichip power LEDs
2-step MacAdam, 50000h L90 B10 (Ta 25°C)

body in anodized aluminium
trim in steel

included and wired

includes 0.30 m cable

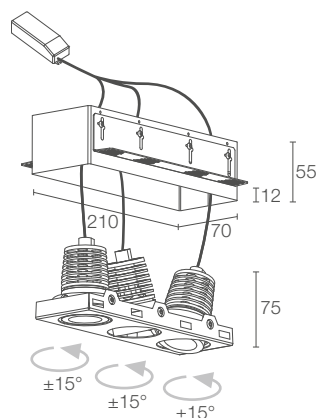
recessed (ceiling)

see p. 536

see p. 802



QUAD MAXI 2.3



Required outer casing, not included



22W 230Vac
MQ2310 ■ ■ B White

22W 230Vac 1-10V + PUSH
MQ2310 ■ ■ BR White

22W 230Vac DALI + PUSH
MQ2310 ■ ■ BD White

■ F - 2700K
5 - 3000K
9 - 4000K

■ S - 20° tilttable ±15°
M - 29° tilttable ±15°
L - 54° tilttable ±15°

512 lm (3000K) per beam

425 lm (3000K, 29°) per beam

3 multichip power LEDs
2-step MacAdam, 50000h L90 B10 (Ta 25°C)

body in anodized aluminium
trim in steel

included and wired

includes 0.30 m cable

recessed (ceiling)

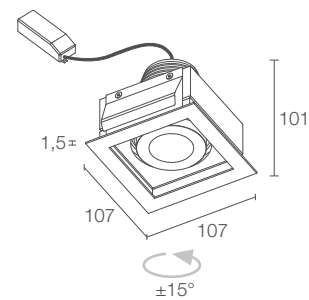
see p. 536

see p. 802

QUAD MAXI 3



QUAD MAXI 3.1



190x190 mm
H 150 mm

95x95 mm

CE LED TPC kg 0.76 IP40 IP43 installed
A A+ A++

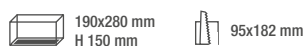
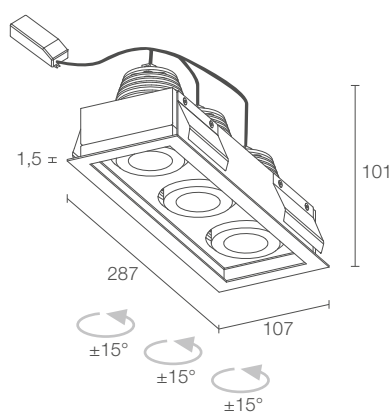
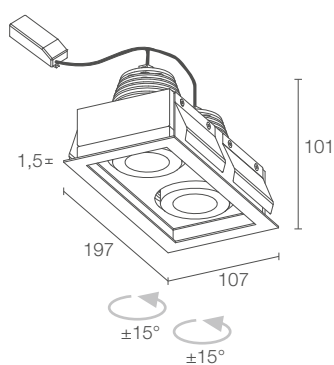
POWER / POWER SUPPLY CODE	14W 230Vac MQ3110 ■ ■ B White
	14W 230Vac 1-10V + PUSH MQ3110 ■ ■ BR White
	14W 230Vac DALI + PUSH MQ3110 ■ ■ BD White
LED COLOUR	F - 2700K 5 - 3000K 9 - 4000K
OPTICS	M - 20° tiltable ±15° L - 40° tiltable ±15°
LUMEN OUTPUT AT SOURCE	1219 lm (3000K)
DELIVERED LUMEN OUTPUT	950 lm (3000K, 20°)
NO. AND TYPE OF LED	1 multichip power LED 2-step MacAdam, 50000h L85 B10 (Ta 25°C)
MATERIAL	body in anodized aluminium trim in steel
POWER SUPPLY UNIT	included and wired
POWER CABLES	includes 0.30 m cable
MOUNTING	recessed (ceiling)
PHOTOMETRIC DATA	see p. 802



QUAD MAXI 3.2



QUAD MAXI 3.3



26W 230Vac
MQ3210 ■ ■ **B** White

26W 230Vac 1-10V + PUSH
MQ3210 ■ ■ **BR** White

26W 230Vac DALI + PUSH
MQ3210 ■ ■ **BD** White

40W 230Vac
MQ3310 ■ ■ **B** White

40W 230Vac 1-10V + PUSH
MQ3310 ■ ■ **BR** White

40W 230Vac DALI + PUSH
MQ3310 ■ ■ **BD** White

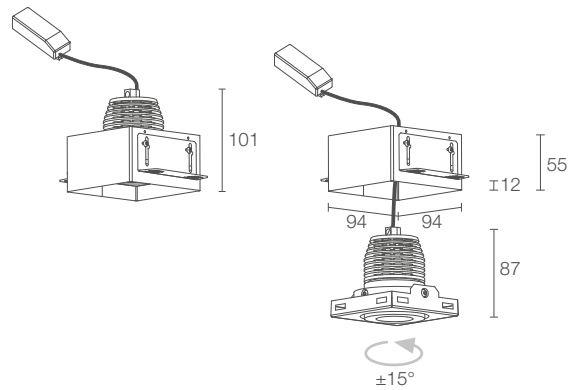
■	F - 2700K 5 - 3000K 9 - 4000K
■	M - 20° tilttable ±15° L - 40° tilttable ±15°
1219 lm (3000K) per beam	
950 lm (3000K, 20°) per beam	
2 multichip power LEDs 2-step MacAdam, 50000h L85 B10 (Ta 25°C)	
body in anodized aluminium trim in steel	
included and wired	
includes 0.30 m cable	
recessed (ceiling)	
see p. 802	

■	F - 2700K 5 - 3000K 9 - 4000K
■	M - 20° tilttable ±15° L - 40° tilttable ±15°
1219 lm (3000K) per beam	
950 lm (3000K, 20°) per beam	
3 multichip power LEDs 2-step MacAdam, 50000h L85 B10 (Ta 25°C)	
body in anodized aluminium trim in steel	
included and wired	
includes 0.30 m cable	
recessed (ceiling)	
see p. 802	

QUAD MAXI 4



QUAD MAXI 4.1



▼
QUAD MAXI 4.1
 3000K, 14W, 20°

Interior design by / Cristian Turra
 Private residence, Iseo, Brescia, Italy



Required outer casing, not included

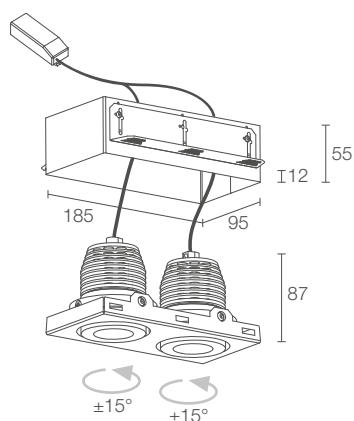


POWER / POWER SUPPLY CODE	14W 230Vac MQ4110 ■ ■ B White
	14W 230Vac 1-10V + PUSH MQ4110 ■ ■ BR White
	14W 230Vac DALI + PUSH MQ4110 ■ ■ BD White

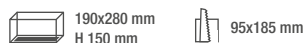
■ LED COLOUR	F - 2700K 5 - 3000K 9 - 4000K
■ OPTICS	M - 20° tilttable ±15° L - 40° tilttable ±15°
LUMEN OUTPUT AT SOURCE	1219 lm (3000K)
DELIVERED LUMEN OUTPUT	950 lm (3000K, 20°)
NO. AND TYPE OF LED	1 multichip power LED 2-step MacAdam, 50000h L85 B10 (Ta 25°C)
MATERIAL	body in anodized aluminium trim in steel
POWER SUPPLY UNIT	included and wired
POWER CABLES	includes 0.30 m cable
MOUNTING	recessed (ceiling)
ACCESSORIES	see p. 536
PHOTOMETRIC DATA	see p. 802



QUAD MAXI 4.2



Required outer casing, not included



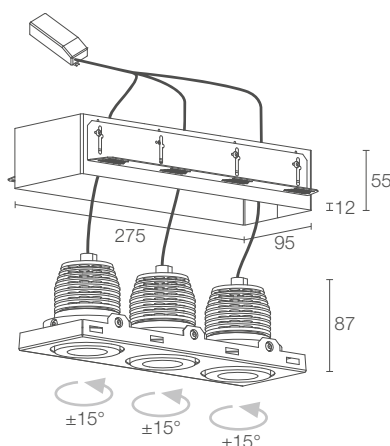
26W 230Vac
MQ4210 ■ ■ B White

26W 230Vac 1-10V + PUSH
MQ4210 ■ ■ BR White

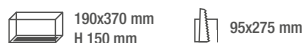
26W 230Vac DALI + PUSH
MQ4210 ■ ■ BD White



QUAD MAXI 4.3



Required outer casing, not included



40W 230Vac
MQ4310 ■ ■ B White

40W 230Vac 1-10V + PUSH
MQ4310 ■ ■ BR White

40W 230Vac DALI + PUSH
MQ4310 ■ ■ BD White

■	F - 2700K 5 - 3000K 9 - 4000K
■	M - 20° tiltable ±15° L - 40° tiltable ±15°
1219 lm (3000K) per beam	
950 lm (3000K, 20°) per beam	
2 multichip power LEDs 2-step MacAdam, 50000h L85 B10 (Ta 25°C)	
body in anodized aluminium trim in steel	
included and wired	
includes 0.30 m cable	
recessed (ceiling)	
see p. 536	
see p. 802	

■	F - 2700K 5 - 3000K 9 - 4000K
■	M - 20° tiltable ±15° L - 40° tiltable ±15°
1219 lm (3000K) per beam	
950 lm (3000K, 20°) per beam	
3 multichip power LEDs 2-step MacAdam, 50000h L85 B10 (Ta 25°C)	
body in anodized aluminium trim in steel	
included and wired	
includes 0.30 m cable	
recessed (ceiling)	
see p. 536	
see p. 802	

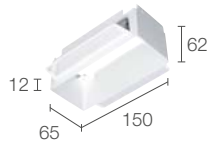
QUAD

ACCESSORIES AND POWER SUPPLY UNITS

ACCESSORIES FOR INSTALLATION



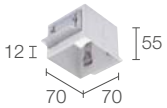
WC2001
Outer casing for plasterboard
(Quad 6.1)



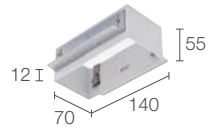
WC2002
Outer casing for plasterboard
(Quad 6.2)



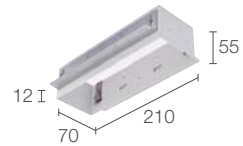
WC2003
Outer casing for plasterboard
(Quad 6.3)



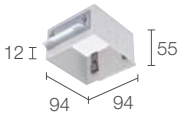
WC2201
Outer casing for plasterboard
(Quad Maxi 2.1)



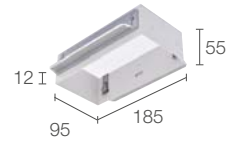
WC2202
Outer casing for plasterboard
(Quad Maxi 2.2)



WC2203
Outer casing for plasterboard
(Quad Maxi 2.3)



WC2401
Outer casing for plasterboard
(Quad Maxi 4.1)



WC2402
Outer casing for plasterboard
(Quad Maxi 4.2)



WC2403
Outer casing for plasterboard
(Quad Maxi 4.3)

POWER SUPPLY UNITS Quad 6.1

350mA

Max no. fixtures	PSU	IP	Page
1	A13350VL	20	845
1/3	A19350QL	20	845
1/5	ACUNI020T1	20	844 845
2/4	A312350QL	20	845
1/4 dimmer	ADUNITC	20	848 849 850
-	RGB controller	-	855 - 860

500mA

Max no. fixtures	PSU	IP	Page
1	A13500TC	20	845
1/3	ACUNI020T1	20	844 845
2/3	A310500QL	20	845
1/4 dimmer	ADUNITC	20	848 849 850
-	RGB controller	-	855 - 860

POWER SUPPLY UNITS Quad 6.2

350mA

Max no. fixtures	PSU	IP	Page
1	ACUNI020T1	20	844 845
1/2	A312350QL	20	845
1/2 dimmer	ADUNITC	20	848 849 850
-	RGB controller	-	855 - 860

500mA

Max no. fixtures	PSU	IP	Page
1	ACUNI020T1	20	844 845
1	A310500QL	20	845
1/2 dimmer	ADUNITC	20	848 849 850
-	RGB controller	-	855 - 860

POWER SUPPLY UNITS Quad 6.3

350mA

Max no. fixtures	PSU	IP	Page
1	ACUNI020T1	20	844 845
1	A19350QL	20	845
1	A312350QL	20	845
1/4 dimmer	ADUNITC	20	848 849 850
-	RGB controller	-	855 - 860

500mA

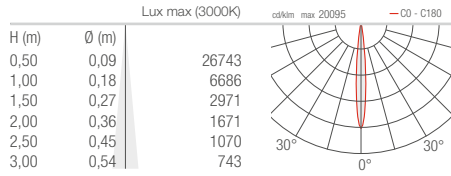
Max no. fixtures	PSU	IP	Page
1	ACUNI020T1	20	844 845
1	A310500QL	20	845
1 dimmer	ADUNITC	20	848 849 850
-	RGB controller	-	855 - 860

QUAD

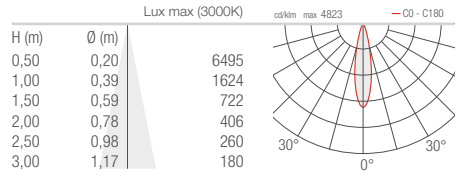
INDOOR RECESSED

QUAD 6.1

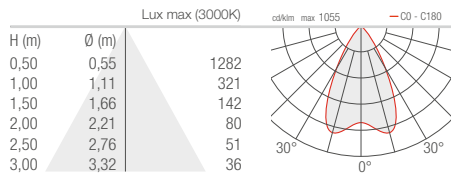
S - 12°



M - 24°

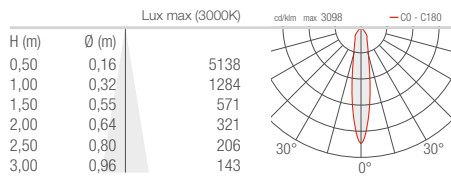


L - 56°

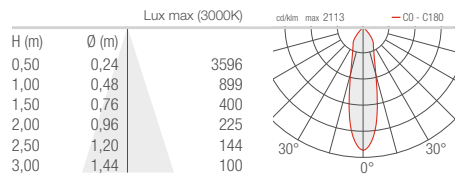


QUAD MAXI 1.1 2.1

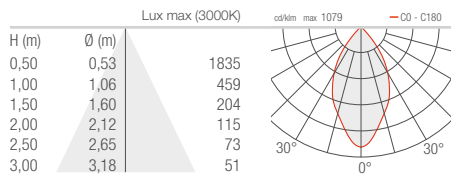
S - 20°



M - 29°

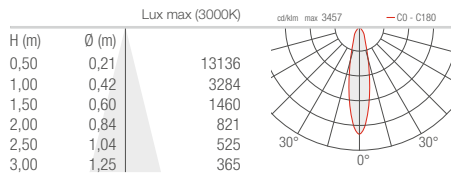


L - 54°



QUAD MAXI 3.1 4.1

M - 20°



L - 40°

