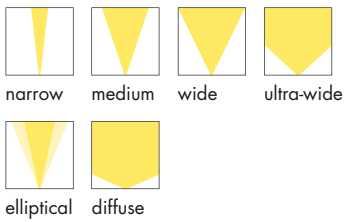
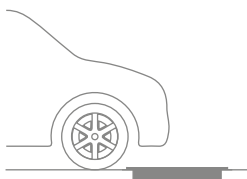


< **COLORADO 2.0**
3000K, 41W, 12°



**RECESSED,
WITH REBATED FRAME**



COLORADO 1.0 p. 152
41W 230Vac
ON/OFF, DALI-2, 0/1-10V
679 mm

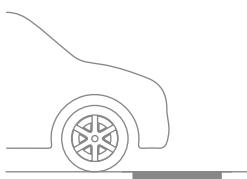


COLORADO 1.1 p. 153
62W 230Vac
ON/OFF, DALI, 0/1-10V
979 mm



COLORADO 1.2 p. 153
83W 230Vac
ON/OFF, DALI-2, 0/1-10V
1279 mm

**RECESSED FLUSH,
WITHOUT FRAME**



COLORADO 2.0 p. 154
41W 230Vac
ON/OFF, DALI-2, 0/1-10V
632 mm



COLORADO 2.1 p. 155
62W 230Vac
ON/OFF, DALI, 0/1-10V
932 mm



COLORADO 2.2 p. 155
83W 230Vac
ON/OFF, DALI-2, 0/1-10V
1232 mm

**SURFACE MOUNTED,
WITH BRACKETS**



COLORADO 3.0 p. 156
41W 230Vac
ON/OFF, DALI-2, 0/1-10V
625 mm

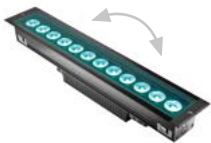


COLORADO 3.1 p. 157
62W 230Vac
ON/OFF, DALI, 0/1-10V
925 mm

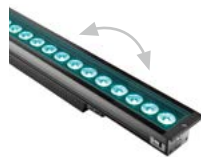


COLORADO 3.2 p. 157
83W 230Vac
ON/OFF, DALI-2, 0/1-10V
1225 mm

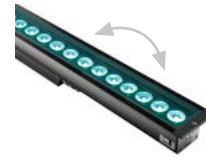
OUTDOOR LINEAR PROFILES ARCHITECTURAL LIGHTING FOR FACADES UP TO 20 METRES TALL



COLORADO 4.0 p. 158
43W 230Vac
DMX, RDM
679 mm



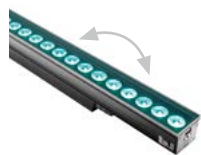
COLORADO 4.1 p. 159
64W 230Vac
DMX, RDM
979 mm



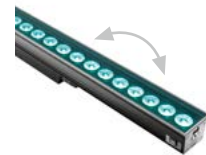
COLORADO 4.2 p. 159
85W 230Vac
DMX, RDM
1279 mm



COLORADO 5.0 p. 160
43W 230Vac
DMX, RDM
632 mm



COLORADO 5.1 p. 161
64W 230Vac
DMX, RDM
932 mm



COLORADO 5.2 p. 161
85W 230Vac
DMX, RDM
1232 mm



COLORADO 6.0 p. 162
43W 230Vac
DMX, RDM
625 mm



COLORADO 6.1 p. 163
64W 230Vac
DMX, RDM
925 mm



COLORADO 6.2 p. 163
85W 230Vac
DMX, RDM
1225 mm

12°



IP65 / IP67
SUITABLE FOR OUTDOOR APPLICATIONS



BUILT-IN PROTECTION SYSTEMS:
PID
PROTECTIVE IMPEDANCE DEVICE



BUILT-IN
POWER SUPPLY UNIT



COLORADO 1 / 2 / 3
AVAILABLE IN DALI AND
0/1-10V DIMMABLE VERSIONS



COLORADO 4 / 5 / 6
LIGHTING CONTROL USING
THE DMX RDM PROTOCOL

MAXIMUM RESISTANCE TO CORROSION
COLORADO IS SUITABLE FOR INSTALLATION IN HARSH ENVIRONMENTS SUCH AS THE SALINE CONDITIONS FOUND IN MARITIME AREAS: THE COMBINATION OF A BODY IN ANTICORODAL® LOW-COPPER-CONTENT ALUMINIUM AND CAPS IN TECHNO-POLYMER ENSURES EXCELLENT HEAT DISSIPATION AND OUTSTANDING CORROSION RESISTANCE



IK09 / IK10
SCREEN IN TRANSPARENT EXTRA-CLEAR GLASS,
UP TO 10 MM THICK, HIGH TRANSMITTANCE



TO ENSURE CHROMATIC UNIFORMITY OF LIGHT,
SERIGRAPHED GREY (RAL 7015), AND TEMPERED
FOR EXCELLENT IMPACT AND SCRATCH RESISTANCE



COLORADO 1 / 4 DRIVE-OVER UP TO 2000 KG
COLORADO 2 DRIVE-OVER UP TO 1500 KG
COLORADO 5 DRIVE-OVER UP TO 1700 KG

ANTI-GLARE RECESSED OPTICS
TO ENSURE VISUAL COMFORT

LIGHTING PERFORMANCE
A LUMINOUS FLUX OF OVER
5700 LM PER SQUARE METRE
MEANS FACADES AS TALL
AS 20 METRES CAN BE LIT



15°x50°

diffuse

UNIQUE SELLING POINTS



AVAILABLE IN COLOUR TEMPERATURES 2700K, 3000K AND 4000K, AND IN A WARM 2200K COLOUR

to better respect the circadian cycles of people and animals in urban, green and public spaces



RGBW VERSION



IN/OUT CONNECTION

Easy wiring with quick connectors designed to connect the profiles in a line



COLORADO 3 / 6
THE BRACKET WITH TWO PIVOT POINTS ALLOWS THE LIGHT OUTPUT TO BE PRECISELY DIRECTED



ACCESSORY BRACKETS CAN BE ADJUSTED TO DIRECT THE LIGHT OUTPUT AS DESIRED

The fixture can be spaced up to 270 mm from the installation surface to reach past protruding architectural elements, such as cornices, corbels or cordons, and direct the light output where it is needed

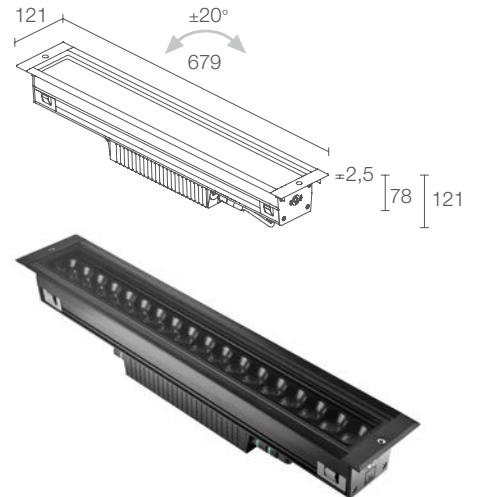


COLORADO 1 / 2 / 3 ANTI-GLARE ACCESSORIES. THE HONEYCOMB LOUVRE OR ANTI-GLARE SHIELD, WHICH CAN BE ORDERED AT THE SAME TIME AS THE FIXTURE, IS MOUNTED ON THE OPTICAL UNIT, SO THAT THE CHOSEN OPTION TILTS TOGETHER WITH THE OPTICS IN THE RECESSED VERSION



COLORADO 1 / 2 TILTING SYSTEM INSIDE THE OPTICAL UNIT

The light direction can be altered by +/- 20° externally with a simple adjustment on the end caps, without compromising the fixture's IP65/IP67 protection level.

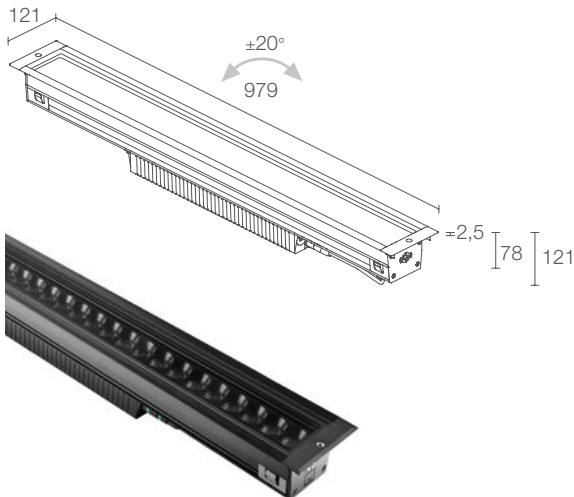


COLORADO 1.0

CE ENEC LED RoHS 2000 20 kg 5.6 IP65 IP67 IK10
 A A+ A++ PID T max 40°C DALI-2 0/1-10V

POWER / POWER SUPPLY CODE	41W 230Vac 679 mm pitch 20 CA10100 ■ O ■ O ■ N Anodized black
CONTROL SYSTEM	0 - on/off 2 - 0/1-10V D - DALI-2
OPTICAL ACCESSORIES	0 - none 1 - honeycomb louvre (not compatible with diffuse optics) 2 - anti-glare shield (not compatible with diffuse optics)
LED COLOUR	N - 2200K F - 2700K 5 - 3000K 9 - 4000K
OPTICS	S - 12° tiltable ±20° M - 30° tiltable ±20° L - 45° tiltable ±20° K - 76° tiltable ±20° W - 15°x50° tiltable ±20° D - diffuse tiltable ±20°

LUMEN OUTPUT AT SOURCE	4950 lm (3000K)
DELIVERED LUMEN OUTPUT	3643 lm (3000K, 12°)
NO. AND TYPE OF LED	18 high-power LEDs pitch 20 mm, 2-step MacAdam, 60000h L80 B10 (Ta 25°C) 2200K: 3-step MacAdam, 60000h L80 B10 (Ta 25°C)
MATERIAL	body in black-anodized anticorodal aluminium screen in grey-serigraphed and transparent, tempered extra-clear glass; screen in grey-serigraphed, acid-etched, tempered extra-clear glass (diffuse version) caps in technopolymer
POWER SUPPLY UNIT	built in
MOUNTING	recessed (ground)
ACCESSORIES	see p. 164 and 165
FEATURES	optical accessories of honeycomb louvre and anti-glare shield built into the lighting fixture and tiltable together with the optics in/out connection and easy wiring with quick connectors designed to connect the profiles in a line
NOTES	Casambi-compatible version, controllable with the Casambi app, available on request
PHOTOMETRIC DATA	see p. 809



COLORADO 1.1

CE ENEC LED kg 2000 kg 8.5 IP65 IP67 IK10
A **A+** **A++** **PID** T_{max} 40°C DALI 0/1-10V

62W 230Vac 979 mm pitch 20

CA11100 ■ **O** ■ **O** ■ **N** Anodized black

■	O - on/off 2 - 0/1-10V D - DALI
■	O - none 1 - honeycomb louvre (not compatible with diffuse optics) 2 - anti-glare shield (not compatible with diffuse optics)
■	N - 2200K F - 2700K 5 - 3000K 9 - 4000K
■	S - 12° tiltable ±20° M - 30° tiltable ±20° L - 45° tiltable ±20° K - 76° tiltable ±20° W - 15°x50° tiltable ±20° D - diffuse tiltable ±20°

7425 lm (3000K)

5645 lm (3000K, 12°)

27 high-power LEDs pitch 20 mm, 2-step MacAdam, 60000h L80 B10 (T_a 25°C)
2200K: 3-step MacAdam, 60000h L80 B10 (T_a 25°C)

body in black-anodized anticorrosion aluminium
screen in grey-serigraphed and transparent, tempered extra-clear glass; screen in grey-serigraphed, acid-etched, tempered extra-clear glass (diffuse version)
caps in technopolymer

built in

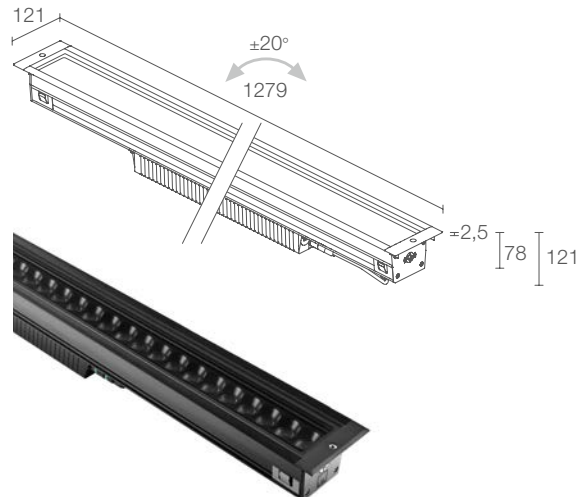
recessed (ground)

see p. 164 and 165

optical accessories of honeycomb louvre and anti-glare shield built into the lighting fixture and tiltable together with the optics
in/out connection and easy wiring with quick connectors designed to connect the profiles in a line

Casambi-compatible version, controllable with the Casambi app, available on request

see p. 809



COLORADO 1.2

CE ENEC LED kg 2000 kg 10.5 IP65 IP67 IK10
A **A+** **A++** **PID** T_{max} 40°C DALI-2 0/1-10V

83W 230Vac 1279 mm pitch 20

CA12100 ■ **O** ■ **O** ■ **N** Anodized black

■	O - on/off 2 - 0/1-10V D - DALI-2
■	O - none 1 - honeycomb louvre (not compatible with diffuse optics) 2 - anti-glare shield (not compatible with diffuse optics)
■	N - 2200K F - 2700K 5 - 3000K 9 - 4000K
■	S - 12° tiltable ±20° M - 30° tiltable ±20° L - 45° tiltable ±20° K - 76° tiltable ±20° W - 15°x50° tiltable ±20° D - diffuse tiltable ±20°

9900 lm (3000K)

7286 lm (3000K, 12°)

36 high-power LEDs pitch 20 mm, 2-step MacAdam, 60000h L80 B10 (T_a 25°C)
2200K: 3-step MacAdam, 60000h L80 B10 (T_a 25°C)

body in black-anodized anticorrosion aluminium
screen in grey-serigraphed and transparent, tempered extra-clear glass; screen in grey-serigraphed, acid-etched, tempered extra-clear glass (diffuse version)
caps in technopolymer

built in

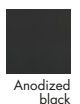
recessed (ground)

see p. 164 and 165

optical accessories of honeycomb louvre and anti-glare shield built into the lighting fixture and tiltable together with the optics
in/out connection and easy wiring with quick connectors designed to connect the profiles in a line

Casambi-compatible version, controllable with the Casambi app, available on request

see p. 809

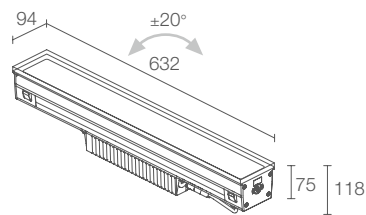


Anodized black

✓
COLORADO 2.0
 2200K, 41W, 12°



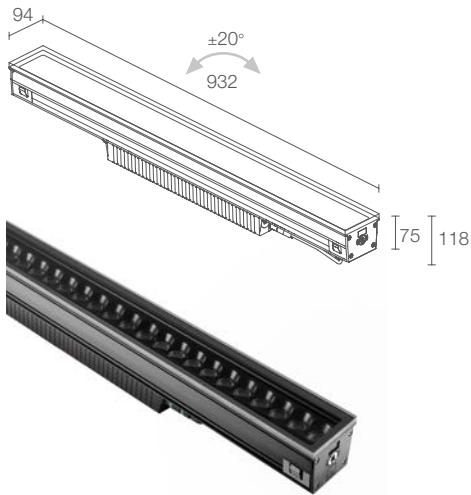
Installation flush
 with ground



COLORADO 2.0

CE ENEC LED IEC kg 1500 KN 15 kg 6.0 IP65 IP67 IK10
 A A+ A++ PID T max 40°C DALI-2 0/1-10V

POWER / POWER SUPPLY CODE	41W 230Vac 632 mm pitch 20 CA20100 ■ 0 ■ 0 ■ 0 ■ V
CONTROL SYSTEM	0 - on/off 2 - 0/1-10V D - DALI-2
OPTICAL ACCESSORIES	0 - none 1 - honeycomb louvre (not compatible with diffuse optics) 2 - anti-glare shield (not compatible with diffuse optics)
LED COLOUR	N - 2200K F - 2700K 5 - 3000K 9 - 4000K
OPTICS	S - 12° tiltable ±20° M - 30° tiltable ±20° L - 45° tiltable ±20° K - 76° tiltable ±20° W - 15°x50° tiltable ±20° D - diffuse tiltable ±20°
LUMEN OUTPUT AT SOURCE	4950 lm (3000K)
DELIVERED LUMEN OUTPUT	3643 lm (3000K, 12°)
NO. AND TYPE OF LED	18 high-power LEDs pitch 20 mm, 2-step MacAdam, 60000h L80 B10 (Ta 25°C) 2200K: 3-step MacAdam, 60000h L80 B10 (Ta 25°C)
MATERIAL	body in black-anodized anticorodal aluminium screen in grey-serigraphed and transparent, tempered extra-clear glass; screen in grey-serigraphed, acid-etched, tempered extra-clear glass (diffuse version) caps in technopolymer
POWER SUPPLY UNIT	built in
MOUNTING	recessed (ground)
ACCESSORIES	see p. 164 and 165
FEATURES	optical accessories of honeycomb louvre and anti-glare shield built into the lighting fixture and tiltable together with the optics in/out connection and easy wiring with quick connectors designed to connect the profiles in a line
NOTES	Casambi-compatible version, controllable with the Casambi app, available on request
PHOTOMETRIC DATA	see p. 809



COLORADO 2.1

CE ENEC LED $\frac{1500}{kN 15}$ kg 8.6 IP65 IP67 IK10
A **A+** **A++** **PID** $T_{max} 40^{\circ}C$ DALI 0/1-10V

62W 230Vac 932 mm pitch 20
CA21100 ■ **O** ■ **O** ■ **V**

■	0 - on/off 2 - 0/1-10V D - DALI
■	0 - none 1 - honeycomb louvre (not compatible with diffuse optics) 2 - anti-glare shield (not compatible with diffuse optics)
■	N - 2200K F - 2700K 5 - 3000K 9 - 4000K
■	S - 12° tiltable ±20° M - 30° tiltable ±20° L - 45° tiltable ±20° K - 76° tiltable ±20° W - 15°x50° tiltable ±20° D - diffuse tiltable ±20°

7425 lm (3000K)

5645 lm (3000K, 12°)

27 high-power LEDs pitch 20 mm, 2-step MacAdam, 60000h L80 B10 (Ta 25°C)
 2200K: 3-step MacAdam, 60000h L80 B10 (Ta 25°C)

body in black-anodized anticorrosion aluminium
 screen in grey-serigraphed and transparent, tempered extra-clear glass; screen in grey-serigraphed, acid-etched, tempered extra-clear glass (diffuse version)
 caps in technopolymer

built in

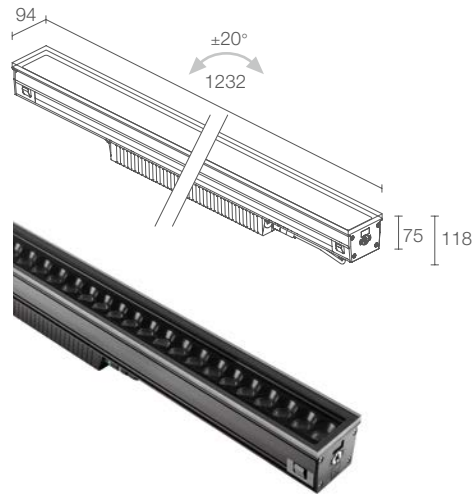
recessed (ground)

see p. 164 and 165

optical accessories of honeycomb louvre and anti-glare shield built into the lighting fixture and tiltable together with the optics
 in/out connection and easy wiring with quick connectors designed to connect the profiles in a line

Casambi-compatible version, controllable with the Casambi app, available on request

see p. 809



COLORADO 2.2

CE ENEC LED $\frac{1500}{kN 15}$ kg 10.6 IP65 IP67 IK10
A **A+** **A++** **PID** $T_{max} 40^{\circ}C$ DALI-2 0/1-10V

83W 230Vac 1232 mm pitch 20
CA22100 ■ **O** ■ **O** ■ **V**

■	0 - on/off 2 - 0/1-10V D - DALI-2
■	0 - none 1 - honeycomb louvre (not compatible with diffuse optics) 2 - anti-glare shield (not compatible with diffuse optics)
■	N - 2200K F - 2700K 5 - 3000K 9 - 4000K
■	S - 12° tiltable ±20° M - 30° tiltable ±20° L - 45° tiltable ±20° K - 76° tiltable ±20° W - 15°x50° tiltable ±20° D - diffuse tiltable ±20°

9900 lm (3000K)

7286 lm (3000K, 12°)

36 high-power LEDs pitch 20 mm, 2-step MacAdam, 60000h L80 B10 (Ta 25°C)
 2200K: 3-step MacAdam, 60000h L80 B10 (Ta 25°C)

body in black-anodized anticorrosion aluminium
 screen in grey-serigraphed and transparent, tempered extra-clear glass; screen in grey-serigraphed, acid-etched, tempered extra-clear glass (diffuse version)
 caps in technopolymer

built in

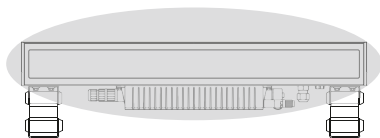
recessed (ground)

see p. 164 and 165

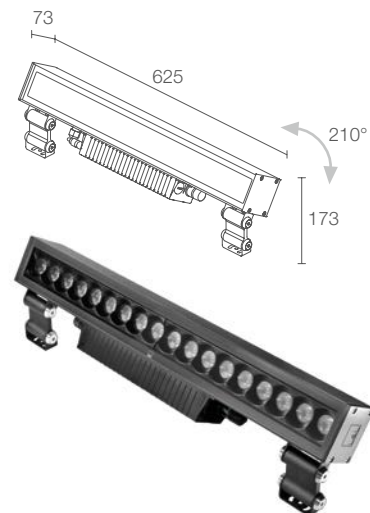
optical accessories of honeycomb louvre and anti-glare shield built into the lighting fixture and tiltable together with the optics
 in/out connection and easy wiring with quick connectors designed to connect the profiles in a line

Casambi-compatible version, controllable with the Casambi app, available on request

see p. 809



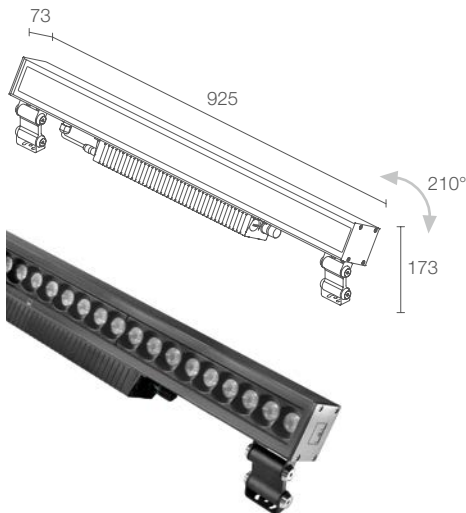
15°x50° optics



COLORADO 3.0

CE ENEC LED TECH IP65 IP67 IK09
 A A+ A++ PID DALI-2 0/1-10V

POWER / POWER SUPPLY CODE	41W 230Vac 625 mm pitch 20 CA30100 ■ 0 ■ 1 ■ 2 ■ 3 ■ 4 ■ 5 ■ 6 ■ 7 ■ 8 ■ 9 ■ N Black
CONTROL SYSTEM	0 - on/off 2 - 0/1-10V D - DALI-2
OPTICAL ACCESSORIES	0 - none 1 - honeycomb louvre (not compatible with diffuse optics) 2 - anti-glare shield (not compatible with diffuse optics)
LED COLOUR	N - 2200K F - 2700K 5 - 3000K 9 - 4000K
OPTICS	S - 12° M - 30° L - 45° K - 76° W - 15°x50° D - diffuse
LUMEN OUTPUT AT SOURCE	4950 lm (3000K)
DELIVERED LUMEN OUTPUT	3643 lm (3000K, 12°)
NO. AND TYPE OF LED	18 high-power LEDs pitch 20 mm, 2-step MacAdam, 60000h L80 B10 (Ta 25°C) 2200K: 3-step MacAdam, 60000h L80 B10 (Ta 25°C)
MATERIAL	body in anticorodal aluminium, bracket in stainless steel screen in grey-serigraphed and transparent, tempered extra-clear glass; screen in grey-serigraphed, acid-etched, tempered extra-clear glass (diffuse version) caps in technopolymer
POWER SUPPLY UNIT	built in
MOUNTING	surface mounted (ceiling, wall, ground)
ACCESSORIES	see p. 164 and 165
FEATURES	optical accessories of honeycomb louvre and anti-glare shield built into the lighting fixture two brackets with two pivot points for accurate adjustment
NOTES	Casambi-compatible version, controllable with the Casambi app, available on request
PHOTOMETRIC DATA	see p. 809



COLORADO 3.1

CE ENEC LED TECH IP65 IP67 IK09
 A A+ A++ PID DALI 0/1-10V

62W 230Vac 925 mm pitch 20
CA31100 ■ O ■ F ■ S ■ N Black

■	0 - on/off 2 - 0/1-10V D - DALI
■	0 - none 1 - honeycomb louvre (not compatible with diffuse optics) 2 - anti-glare shield (not compatible with diffuse optics)
■	N - 2200K F - 2700K S - 3000K 9 - 4000K
■	S - 12° M - 30° L - 45° K - 76° W - 15°x50° D - diffuse

7425 lm (3000K)

5645 lm (3000K, 12°)

27 high-power LEDs pitch 20 mm, 2-step MacAdam, 60000h L80 B10 (Ta 25°C)
 2200K: 3-step MacAdam, 60000h L80 B10 (Ta 25°C)

body in anticorodal aluminium, bracket in stainless steel
 screen in grey-serigraphed and transparent, tempered
 extra-clear glass; screen in grey-serigraphed, acid-etched,
 tempered extra-clear glass (diffuse version)
 caps in technopolymer

built in

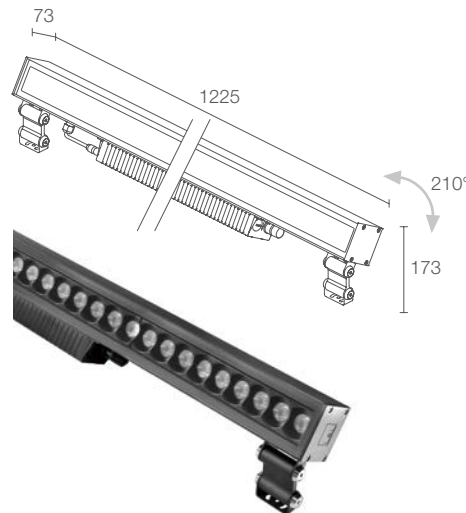
surface mounted (ceiling, wall, ground)

see p. 164 and 165

optical accessories of honeycomb louvre and
 anti-glare shield built into the lighting fixture
 two brackets with two pivot points for accurate
 adjustment

Casambi-compatible version, controllable
 with the Casambi app, available on request

see p. 809



COLORADO 3.2

CE ENEC LED TECH IP65 IP67 IK09
 A A+ A++ PID DALI-2 0/1-10V

83W 230Vac 1225 mm pitch 20
CA32100 ■ O ■ F ■ S ■ N Black

■	0 - on/off 2 - 0/1-10V D - DALI-2
■	0 - none 1 - honeycomb louvre (not compatible with diffuse optics) 2 - anti-glare shield (not compatible with diffuse optics)
■	N - 2200K F - 2700K S - 3000K 9 - 4000K
■	S - 12° M - 30° L - 45° K - 76° W - 15°x50° D - diffuse

9900 lm (3000K)

7286 lm (3000K, 12°)

36 high-power LEDs pitch 20 mm, 2-step MacAdam, 60000h L80 B10 (Ta 25°C)
 2200K: 3-step MacAdam, 60000h L80 B10 (Ta 25°C)

body in anticorodal aluminium, bracket in stainless steel
 screen in grey-serigraphed and transparent, tempered
 extra-clear glass; screen in grey-serigraphed, acid-etched,
 tempered extra-clear glass (diffuse version)
 caps in technopolymer

built in

surface mounted (ceiling, wall, ground)

see p. 164 and 165

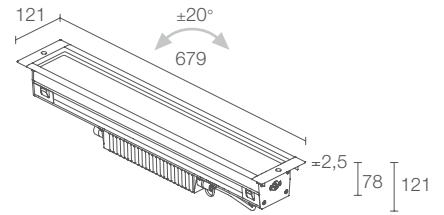
optical accessories of honeycomb louvre and
 anti-glare shield built into the lighting fixture
 two brackets with two pivot points for accurate
 adjustment

Casambi-compatible version, controllable
 with the Casambi app, available on request

see p. 809



Black



Rebated
installation



COLORADO 4.0



IP65 IP67 IK10 DMX RDM

A A+ A++ PID T max 40°C

POWER / POWER SUPPLY CODE

43W 230Vac 679 mm pitch 20
CA4010040070 ■ N Anodized black

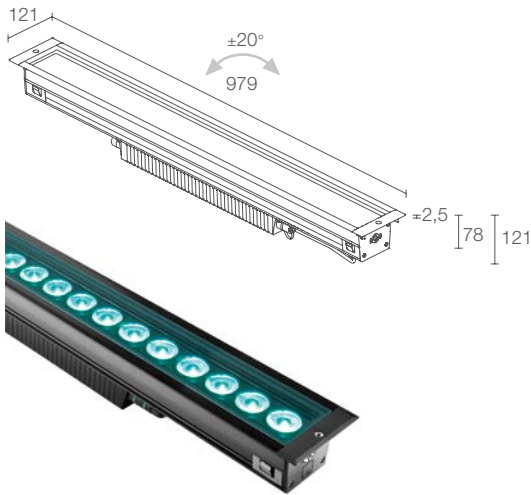
OPTICS

S - 15° tiltable ±20°
M - 25° tiltable ±20°
L - 37° tiltable ±20°
W - 13°x65° tiltable ±20°

LED COLOUR

RGBW

LUMEN OUTPUT AT SOURCE	R: 1337 lm G: 2880 lm B: 350 lm W: 2469 lm (3000K)
DELIVERED LUMEN OUTPUT	2547 lm R: 852 lm G: 1526 lm B: 360 lm W: 1836 lm (3000K, 15°)
NO. AND TYPE OF LED	12 multicolour high-intensity power LEDs pitch 20 mm 60000h L80 B10 (Ta 25° C)
MATERIAL	body in black-anodized anticorodal aluminium screen in grey-serigraphed and transparent, tempered extra-clear glass caps in technopolymer
POWER SUPPLY UNIT	built in
MOUNTING	recessed (ground)
ACCESSORIES	see p. 164 and 165
FEATURES	in/out connection and easy wiring with quick connectors designed to connect the profiles in a line
NOTES	Casambi-compatible version, controllable with the Casambi app, available on request
PHOTOMETRIC DATA	see p. 810



COLORADO 4.1



IP65 IP67 IK10 DMX RDM

A A+ A++ PID T max 40°C

64W 230Vac 979 mm pitch 20
CA4110040070 ■ N Anodized black

■ **S** - 15° tiltable ±20°
M - 25° tiltable ±20°
L - 37° tiltable ±20°
W - 13°x65° tiltable ±20°

RGBW

R: 2003 lm G: 4320 lm B: 525 lm W: 3703 lm (3000K)

3820 lm
 R: 2003 lm G: 4320 lm B: 525 lm W: 3703 lm (3000K, 15°)

18 multicolour high-intensity power LEDs pitch 20 mm
 60000h L80 B10 (Ta 25° C)

body in black-anodized anticorrosional aluminium
 screen in grey-serigraphed and transparent,
 tempered extra-clear glass
 caps in technopolymer

built in

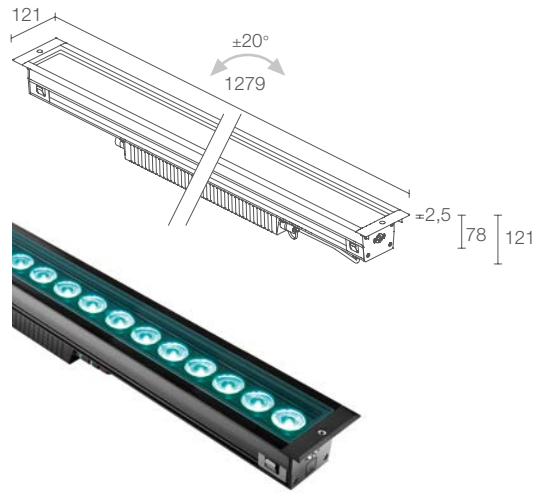
recessed (ground)

see p. 164 and 165

in/out connection and easy wiring with quick
 connectors designed to connect the profiles in a line

Casambi-compatible version, controllable
 with the Casambi app, available on request

see p. 810



COLORADO 4.2



IP65 IP67 IK10 DMX RDM

A A+ A++ PID T max 40°C

85W 230Vac 1279 mm pitch 20
CA4210040070 ■ N Anodized black

■ **S** - 15° tiltable ±20°
M - 25° tiltable ±20°
L - 37° tiltable ±20°
W - 13°x65° tiltable ±20°

RGBW

R: 2674 lm G: 5760 lm B: 700 lm W: 4967 lm (3000K)

5104 lm
 R: 2674 lm G: 5760 lm B: 700 lm W: 4967 lm (3000K, 15°)

24 multicolour high-intensity power LEDs pitch 20 mm
 60000h L80 B10 (Ta 25° C)

body in black-anodized anticorrosional aluminium
 screen in grey-serigraphed and transparent,
 tempered extra-clear glass
 caps in technopolymer

built in

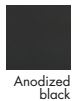
recessed (ground)

see p. 164 and 165

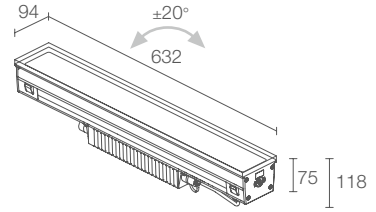
in/out connection and easy wiring with quick
 connectors designed to connect the profiles in a line

Casambi-compatible version, controllable
 with the Casambi app, available on request

see p. 810



Anodized black

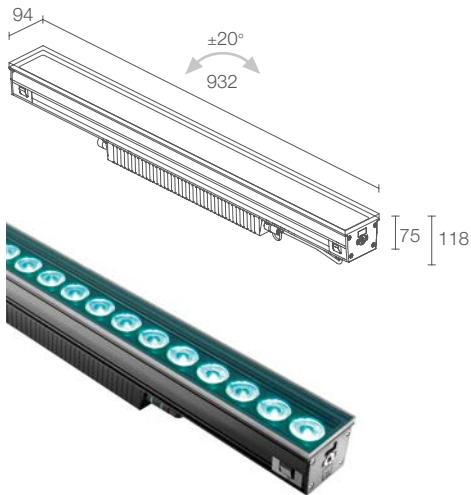


Installation flush
with ground

COLORADO 5.0



POWER / POWER SUPPLY CODE	43W 230Vac 632 mm pitch 20 CA5010040070 ■ V
OPTICS	S - 15° tiltable ±20° M - 25° tiltable ±20° L - 37° tiltable ±20° W - 13°x65° tiltable ±20°
LED COLOUR	RGBW
LUMEN OUTPUT AT SOURCE	R: 1337 lm G: 2880 lm B: 350 lm W: 2469 lm (3000K)
DELIVERED LUMEN OUTPUT	2547 lm R: 852 lm G: 1526 lm B: 360 lm W: 1836 lm (3000K, 15°)
NO. AND TYPE OF LED	12 multicolour high-intensity power LEDs pitch 20 mm 60000h L80 B10 (Ta 25° C)
MATERIAL	body in black-anodized anticorrosional aluminium screen in grey-serigraphed and transparent, tempered extra-clear glass caps in technopolymer
POWER SUPPLY UNIT	built in
MOUNTING	recessed (ground)
ACCESSORIES	see p. 164 and 165
FEATURES	in/out connection and easy wiring with quick connectors designed to connect the profiles in a line
NOTES	Casambi-compatible version, controllable with the Casambi app, available on request
PHOTOMETRIC DATA	see p. 810



COLORADO 5.1



IP65 IP67 IK10 DMX RDM

A A+ A++ PID T max 40°C

64W 230Vac 932 mm pitch 20
CA5110040070 ■ V

■ **S** - 15° tiltable ±20°
M - 25° tiltable ±20°
L - 37° tiltable ±20°
W - 13°x65° tiltable ±20°

RGBW

R: 2003 lm G: 4320 lm B: 525 lm W: 3703 lm
 (3000K)

3820 lm
 R: 2003 lm G: 4320 lm B: 525 lm W: 3703 lm
 (3000K, 15°)

18 multicolour high-intensity power LEDs pitch 20 mm
 60000h L80 B10 (Ta 25° C)

body in black-anodized anticorrosional aluminium
 screen in grey-serigraphed and transparent,
 tempered extra-clear glass
 caps in technopolymer

built in

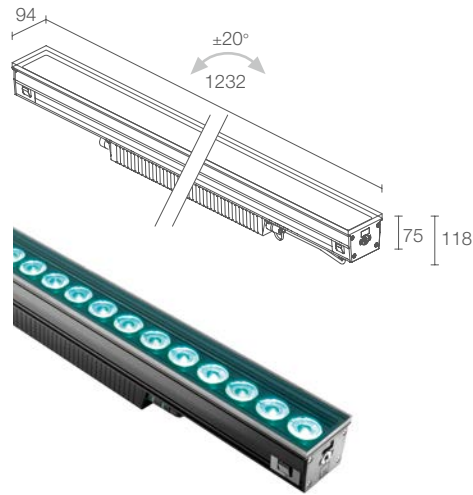
recessed (ground)

see p. 164 and 165

in/out connection and easy wiring with quick
 connectors designed to connect the profiles in a line

Casambi-compatible version, controllable
 with the Casambi app, available on request

see p. 810



COLORADO 5.2



IP65 IP67 IK10 DMX RDM

A A+ A++ PID T max 40°C

85W 230Vac 1232 mm pitch 20
CA5210040070 ■ V

■ **S** - 15° tiltable ±20°
M - 25° tiltable ±20°
L - 37° tiltable ±20°
W - 13°x65° tiltable ±20°

RGBW

R: 2674 lm G: 5760 lm B: 700 lm W: 4967 lm
 (3000K)

5104 lm
 R: 2674 lm G: 5760 lm B: 700 lm W: 4967 lm
 (3000K, 15°)

24 multicolour high-intensity power LEDs pitch 20 mm
 60000h L80 B10 (Ta 25° C)

body in black-anodized anticorrosional aluminium
 screen in grey-serigraphed and transparent,
 tempered extra-clear glass
 caps in technopolymer

built in

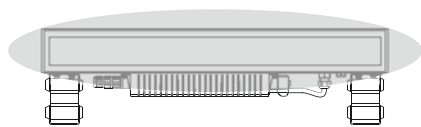
recessed (ground)

see p. 164 and 165

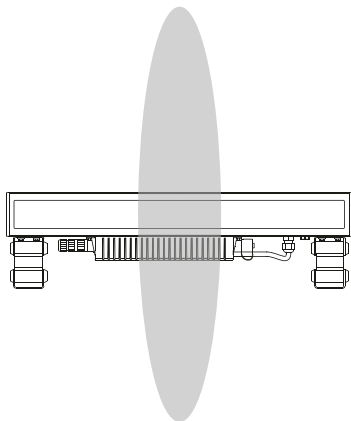
in/out connection and easy wiring with quick
 connectors designed to connect the profiles in a line

Casambi-compatible version, controllable
 with the Casambi app, available on request

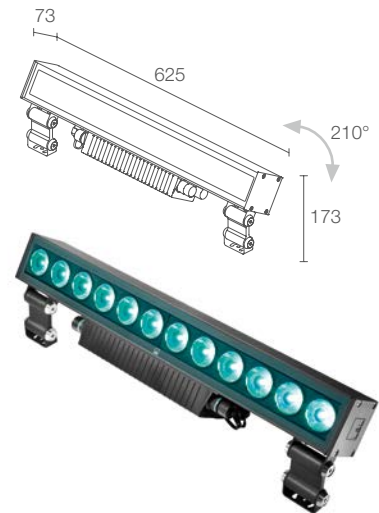
see p. 810



13°x65° optics



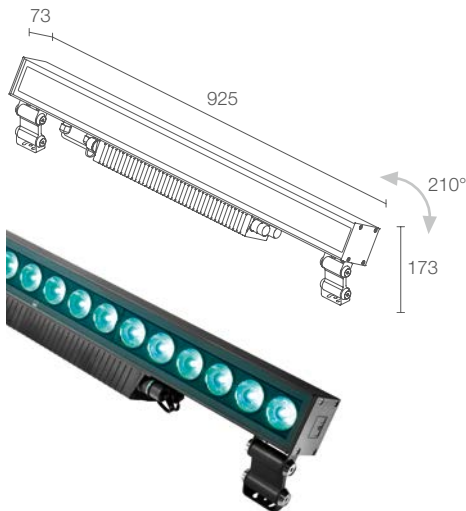
65°x13° optics



COLORADO 6.0



POWER / POWER SUPPLY CODE	43W 230Vac 625 mm pitch 20 CA6010040070 ■ N Black
OPTICS	S - 15° M - 25° L - 37° W - 13°x65° X - 65°x13°
LED COLOUR	RGBW
LUMEN OUTPUT AT SOURCE	R: 1337 lm G: 2880 lm B: 350 lm W: 2469 lm (3000K)
DELIVERED LUMEN OUTPUT	2547 lm R: 852 lm G: 1526 lm B: 360 lm W: 1836 lm (3000K, 15°)
NO. AND TYPE OF LED	12 multicolour high-intensity power LEDs pitch 20 mm 60000h L80 B10 (Ta 25° C)
MATERIAL	body in anticorodal aluminium, bracket in stainless steel screen in grey-serigraphed and transparent, tempered extra-clear glass caps in technopolymer
POWER SUPPLY UNIT	built in
MOUNTING	surface mounted (ceiling, wall, ground)
ACCESSORIES	see p. 164 and 165
FEATURES	two brackets with two pivot points for accurate adjustment
NOTES	Casambi-compatible version, controllable with the Casambi app, available on request
PHOTOMETRIC DATA	see p. 810



COLORADO 6.1



IP65 IP67 IK09 DMX RDM



64W 230Vac 925 mm pitch 20
CA6110040070 ■ N Black

■ **S** - 15°
M - 25°
L - 37°
W - 13°x65°
X - 65°x13°

RGBW

R: 2003 lm G: 4320 lm B: 525 lm W: 3703 lm (3000K)

3820 lm
 R: 2003 lm G: 4320 lm B: 525 lm W: 3703 lm (3000K, 15°)

18 multicolour high-intensity power LEDs pitch 20 mm
 60000h L80 B10 (Ta 25° C)

body in anticorrosion aluminium, bracket in stainless steel screen in grey-serigraphed and transparent, tempered extra-clear glass caps in technopolymer

built in

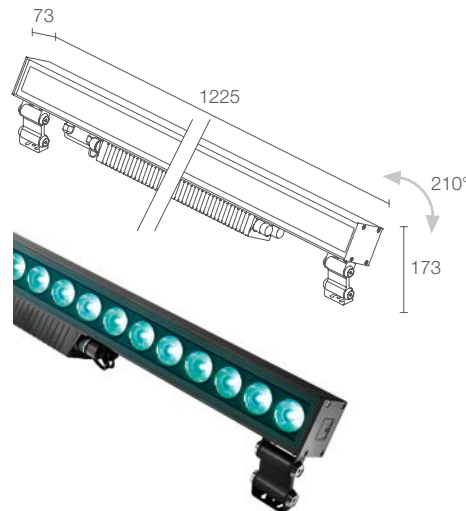
surface mounted (ceiling, wall, ground)

see p. 164 and 165

two brackets with two pivot points for accurate adjustment

Casambi-compatible version, controllable with the Casambi app, available on request

see p. 810



COLORADO 6.2



IP65 IP67 IK09 DMX RDM



85W 230Vac 1225 mm pitch 20
CA6210040070 ■ N Black

■ **S** - 15°
M - 25°
L - 37°
W - 13°x65°
X - 65°x13°

RGBW

R: 2674 lm G: 5760 lm B: 700 lm W: 4967 lm (3000K)

5104 lm
 R: 2674 lm G: 5760 lm B: 700 lm W: 4967 lm (3000K, 15°)

24 multicolour high-intensity power LEDs pitch 20 mm
 60000h L80 B10 (Ta 25° C)

body in anticorrosion aluminium, bracket in stainless steel screen in grey-serigraphed and transparent, tempered extra-clear glass caps in technopolymer

built in

surface mounted (ceiling, wall, ground)

see p. 164 and 165

two brackets with two pivot points for accurate adjustment

Casambi-compatible version, controllable with the Casambi app, available on request

see p. 810

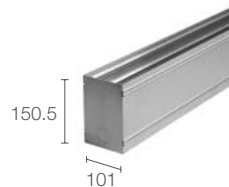


Black

**ACCESSORIES
FOR INSTALLATION**



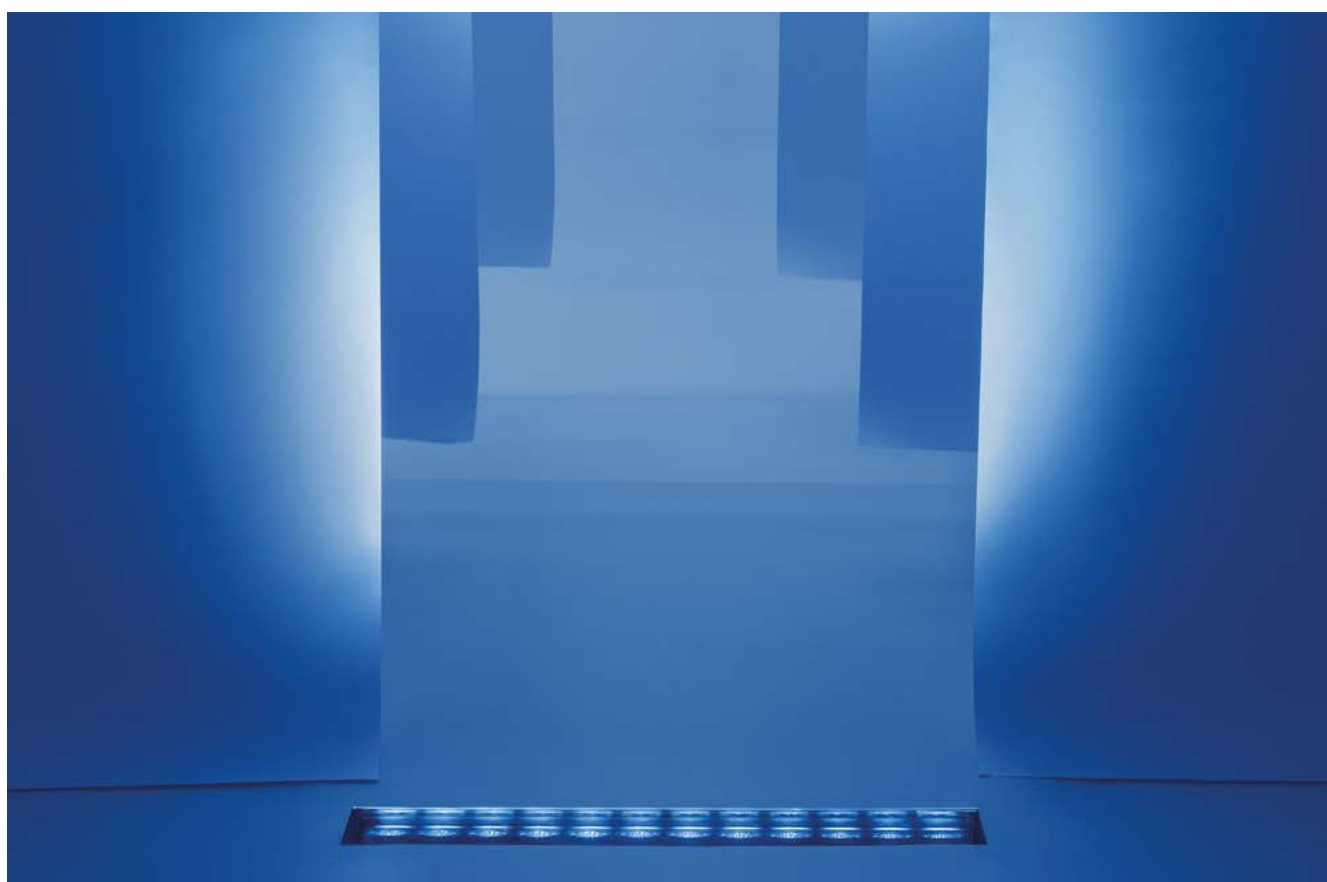
Outer casing



Outer casing

COLORADO 1.0	WCCA10A0T - 668.5 mm
COLORADO 1.1	WCCA11A0T - 968.5 mm
COLORADO 1.2	WCCA12A0T - 1268.5 mm
COLORADO 2.0	WCCA20A0F - 636.5 mm
COLORADO 2.1	WCCA21A0F - 936.5 mm
COLORADO 2.2	WCCA22A0F - 1236.5 mm
COLORADO 4.0	WCCA10A0T - 668.5 mm
COLORADO 4.1	WCCA11A0T - 968.5 mm
COLORADO 4.2	WCCA12A0T - 1268.5 mm
COLORADO 5.0	WCCA20A0F - 636.5 mm
COLORADO 5.1	WCCA21A0F - 936.5 mm
COLORADO 5.2	WCCA22A0F - 1236.5 mm

∨
COLORADO 5.0
 RGBW, 43W, 37°



ACCESSORIES

ACCESSORIES FOR INSTALLATION



WMA04N
Brackets adjustable from 0 to 150 mm
(Colorado 3 / 6)



WFA01
4-pin male connector
for IP68 in/out connection
(0/1-10V or DALI version)



WFA05
5-pin male connector
for IP68 in/out connection



WFA0005
5-m, 4-pin interconnect cable
for DALI or 0/1-10V version
(Colorado 1 / 2 / 3)



WFA0001
1.5-m, 3-pin interconnect cable
for DMX version
(Colorado 4 / 5 / 6)



WFA0101
1.5-m, 4-pin interconnect cable
for DALI or 0/1-10V version
(Colorado 1 / 2 / 3)



WFA0105
5-m, 3-pin interconnect cable
for DMX signal
(Colorado 4 / 5 / 6)



WFA0201
1.5-m, 5-pin interconnect cable
(Colorado 1 / 2 / 3)



WFA0205
5-m, 5-pin interconnect cable
(Colorado 1 / 2 / 3)

for spare parts, see p. 934



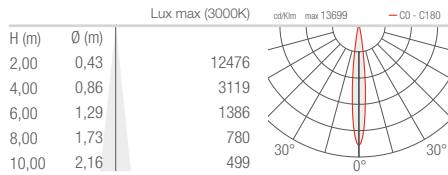
OUTDOOR LINEAR PROFILES

COLORADO 1.0

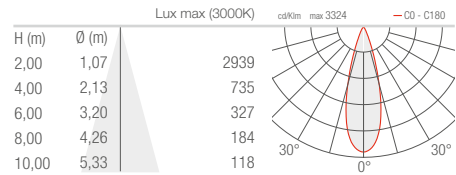
2.0

3.0

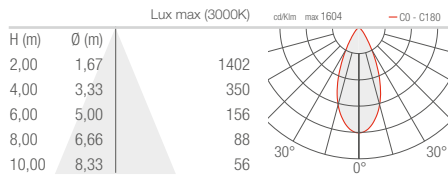
S - 12° CRI 80



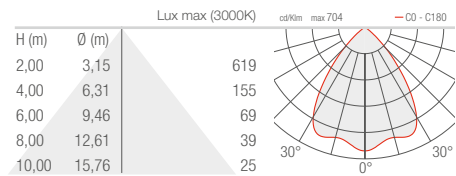
M - 30° CRI 80



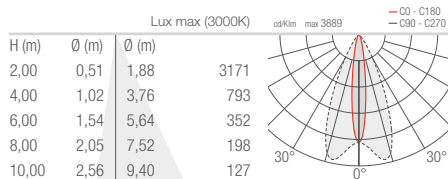
L - 45° CRI 80



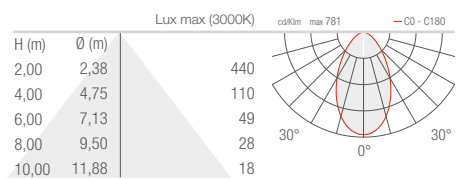
K - 76° CRI 80



W - 15°x50° CRI 80



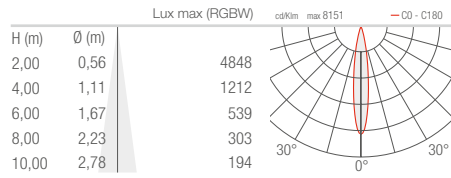
D - Diffuse CRI 80



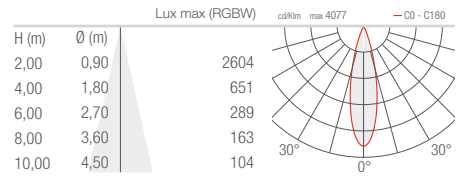
COLORADO 4.0

5.0
6.0

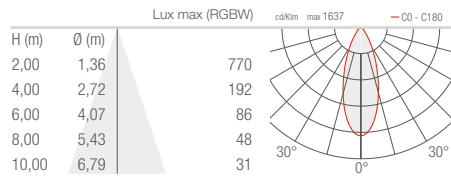
S - 15°



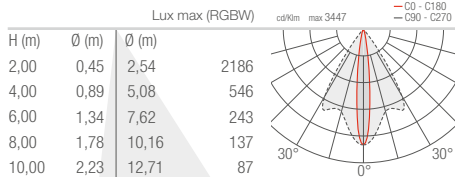
M - 25°



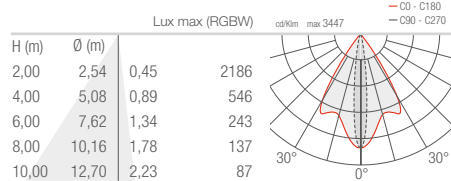
L - 37°



W - 13°x65°



X - 65°x13° (Colorado 6.0)



D - Diffuse

