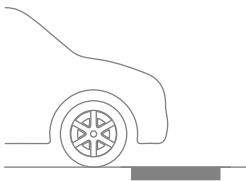


^
RIVER WALL 2.0
 3000K, 40W, 11°, with brackets



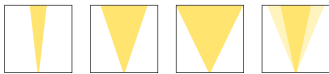
RECESSED INSTALLATION

500 mm

1000 mm

WITH OPTICS – PITCH 50 mm

2700K 3000K 4000K 5000K blue



narrow medium wide elliptical



RIVER 1.0 p. 122
 20W 230Vac



RIVER 2.0 p. 124
 40W 230Vac

WITH OPTICS – PITCH 50 mm

2700K 3000K 4000K 5000K blue



wall washer



RIVER 1.1 p. 123
 20W 230Vac



RIVER 2.1 p. 125
 40W 230Vac

WITH OPTICS – PITCH 50 mm

RGBW



narrow medium wide



RIVER 4.0 p. 127
 30W 48Vdc with DMX



RIVER 5.0 p. 127
 60W 48Vdc with DMX

DIFFUSE OPTICS

2700K 3000K 4000K



diffuse



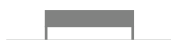
RIVER 1.2 p. 123
 10W 230Vac



RIVER 2.2 p. 125
 20W 230Vac

RIVER / RIVER WALL

OUTDOOR LINEAR PROFILES
LIGHTING WITH DIFFUSE LIGHT OR OPTICS FOR WALLS AND FACADES

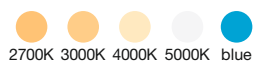


INSTALLATION ON BRACKETS

520 mm

1020 mm

WITH OPTICS – PITCH 50 mm



2700K 3000K 4000K 5000K blue



narrow



medium



wide



elliptical



RIVER WALL 1.0 p. 128
20W 230Vac



RIVER WALL 2.0 p. 130
40W 230Vac

WITH OPTICS – PITCH 50 mm



2700K 3000K 4000K 5000K blue



wall washer



RIVER WALL 1.1 p. 129
20W 230Vac



RIVER WALL 2.1 p. 131
40W 230Vac

WITH OPTICS – PITCH 50 mm



RGBW



narrow



medium



wide



RIVER WALL 4.0 p. 133
30W 48Vdc with DMX



RIVER WALL 5.0 p. 133
60W 48Vdc with DMX

DIFFUSE OPTICS



2700K 3000K 4000K



diffuse



RIVER WALL 1.2 p. 129
10W 230Vac

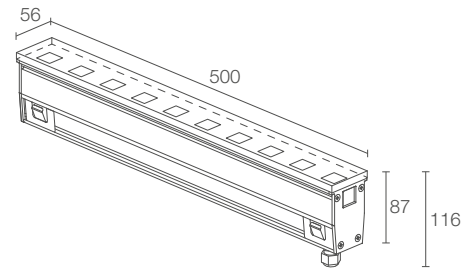


RIVER WALL 2.2 p. 131
20W 230Vac

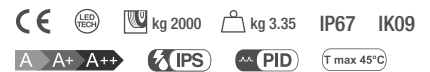
RIVER 1



RIVER 1.0



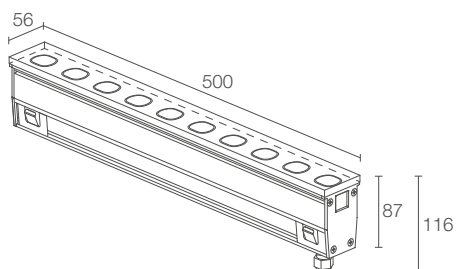
✓
RIVER 1.1
3000K, 20W



POWER / POWER SUPPLY CODE	20W 230Vac 500 mm pitch 50 RV1010 ■ ■ V
LED COLOUR	F - 2700K 5 - 3000K 9 - 4000K 0 - 5000K 1 - blue
OPTICS	S - 11° M - 30° L - 47° W - 10°x40°
LUMEN OUTPUT AT SOURCE	1450 lm (3000K)
DELIVERED LUMEN OUTPUT	1050 lm (3000K, 30°)
NO. AND TYPE OF LED	10 power LEDs pitch 50 mm 1/4 ANSI BIN (white LED colour) 50000h L90 B10 (Ta 25°C)
MATERIAL	body in anodized aluminium screen in tempered, transparent glass
POWER SUPPLY UNIT	built in
POWER CABLES	includes 1.5 m neoprene cable H07RN-F 3x1.00 Ø9.3 mm
MOUNTING	recessed (wall, ground)
ACCESSORIES	see p. 134
NOTES	DALI and 1-10V versions, and in/out connection, available on request
PHOTOMETRIC DATA	see p. 805



RIVER 1.1



CE LED TECH U kg 2000 kg 3.35 IP67 IK09
A A+ A++ IPS PID T max 45°C

20W 230Vac 500 mm pitch 50
RV1110 V1 V

F - 2700K
5 - 3000K
9 - 4000K
0 - 5000K
1 - blue

wall washer

1450 lm (3000K)

1049 lm (3000K)

10 power LEDs pitch 50 mm
1/4 ANSI BIN (white LED colour)
50000h L90 B10 (Ta 25°C)

body in anodized aluminium
screen in tempered, transparent glass

built in

includes 1.5 m neoprene cable
H07RN-F 3x1.00 Ø9.3 mm

recessed (wall, ground)

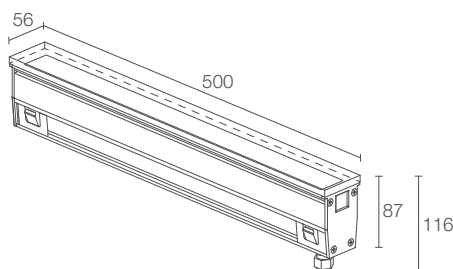
see p. 134

DALI and 1-10V versions, and in/out connection,
available on request

see p. 805



RIVER 1.2



CE LED TECH U kg 2000 kg 3.35 IP67 IK09
A A+ A++ IPS PID T max 45°C

10W 230Vac 500 mm
RV1210 D V

F - 2700K
5 - 3000K
9 - 4000K

diffuse

924 lm (3000K)

473 lm (3000K)

66 SMD mid-power LEDs
3-step MacAdam
50000h L90 B10 (Ta 25°C)

body in anodized aluminium
screen in acid-etched, tempered extra-clear glass

built in

includes 1.5 m neoprene cable
H07RN-F 3x1.00 Ø9.3 mm

recessed (wall, ground)

see p. 134

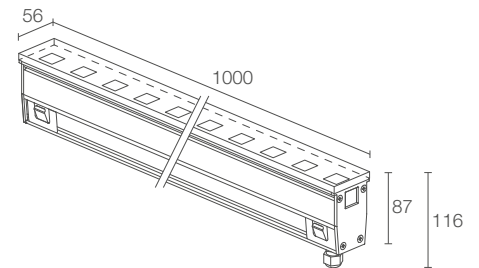
DALI and 1-10V versions, and in/out connection,
available on request

see p. 805

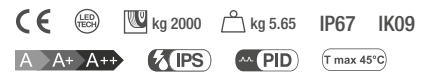
RIVER 2



RIVER 2.0



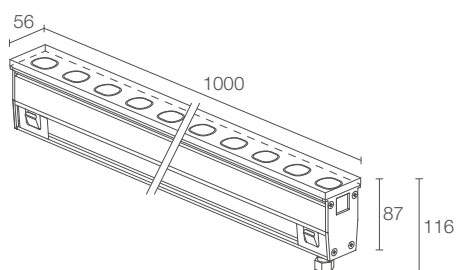
✓
RIVER 2.0
3000K, 40W, 30°



POWER / POWER SUPPLY CODE	40W 230Vac 1000 mm pitch 50 RV2010 ■ ■ V
LED COLOUR	F - 2700K 5 - 3000K 9 - 4000K 0 - 5000K 1 - blue
OPTICS	S - 11° M - 30° L - 47° W - 10°x40°
LUMEN OUTPUT AT SOURCE	2900 lm (3000K)
DELIVERED LUMEN OUTPUT	2100 lm (3000K, 30°)
NO. AND TYPE OF LED	20 power LEDs pitch 50 mm 1/4 ANSI BIN (white LED colour) 50000h L90 B10 (Ta 25°C)
MATERIAL	body in anodized aluminium screen in tempered, transparent glass
POWER SUPPLY UNIT	built in
POWER CABLES	includes 1.5 m neoprene cable H07RN-F 3x1.00 Ø9.3 mm
MOUNTING	recessed (wall, ground)
ACCESSORIES	see p. 134
NOTES	DALI and 1-10V versions, and in/out connection, available on request
PHOTOMETRIC DATA	see p. 805



RIVER 2.1



CE LED TECH U kg 2000 ⚖ kg 5.65 IP67 IK09
A A+ A++ IPS PID T max 45°C

40W 230Vac 1000 mm pitch 50
RV2110 V1 V

F - 2700K
5 - 3000K
9 - 4000K
0 - 5000K
1 - blue

wall washer

2900 lm (3000K)

2098 lm (3000K)

20 power LEDs pitch 50 mm
1/4 ANSI BIN (white LED colour)
50000h L90 B10 (Ta 25°C)

body in anodized aluminium
screen in tempered, transparent glass

built in

includes 1.5 m neoprene cable
H07RN-F 3x1.00 Ø9.3 mm

recessed (wall, ground)

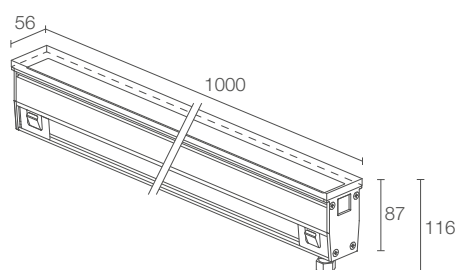
see p. 134

DALI and 1-10V versions, and in/out connection,
available on request

see p. 805



RIVER 2.2



CE LED TECH U kg 2000 ⚖ kg 5.65 IP67 IK09
A A+ A++ IPS PID T max 45°C

20W 230Vac 1000 mm
RV2210 D V

F - 2700K
5 - 3000K
9 - 4000K

diffuse

1848 lm (3000K)

946 lm (3000K)

132 SMD mid-power LEDs
3-step MacAdam
50000h L90 B10 (Ta 25°C)

body in anodized aluminium
screen in acid-etched, tempered extra-clear glass

built in

includes 1.5 m neoprene cable
H07RN-F 3x1.00 Ø9.3 mm

recessed (wall, ground)

see p. 134

DALI and 1-10V versions, and in/out connection,
available on request

see p. 805



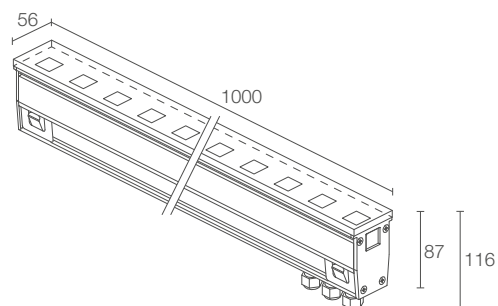
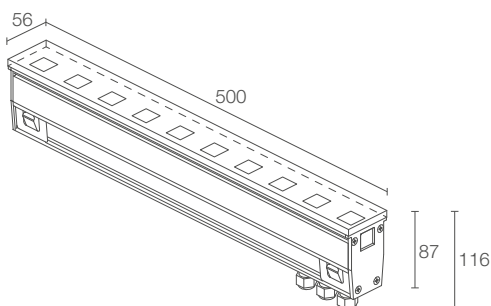
- < RIVER 1.0
4000K, 20W, 10°x40°
(installed in the ground)
 - RIVER 2.0
4000K, 40W, 47°
(mounted on the ceiling, customized version)
 - LYSS 1.0
4000K, 9W, satin 20°x180°, white
- Project by / arch. **Ciro Alfredo Matarante**
Castellano Gruppo Alimentare
Cerignola, Foggia, Italy

RIVER 4 / 5



RIVER 4.0

RIVER 5.0



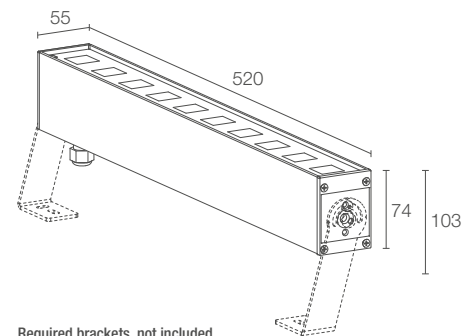
POWER / POWER SUPPLY CODE	30W 48Vdc + DMX512 500 mm pitch 50 RV4000 7 ■ V
OPTICS	S - 13° M - 33° L - 47°
LED COLOUR	RGBW
LUMEN OUTPUT AT SOURCE	3234 lm, R: 658 lm G: 1022 lm B: 378 lm W: 1176 lm (4000K)
DELIVERED LUMEN OUTPUT	2310 lm, R: 470 lm G: 730 lm B: 270 lm W: 840 lm (4000K, 33°)
NO. AND TYPE OF LED	40 power LEDs (10 power LEDs 4000K, 30 power LEDs RGB) pitch 50 mm 50000h L90 B10 (Ta 25°C)
MATERIAL	body in anodized aluminium screen in tempered, transparent glass
POWER SUPPLY UNIT	not included, see p. 134
POWER CABLES	includes 1x1.5 m neoprene cable H07RN-F 2x1.00 Ø8.7 mm and 2x1.5 m neoprene cables 05RN-F 4x0.50 Ø5.8 mm
MOUNTING	recessed (wall, ground)
ACCESSORIES	see p. 134
PHOTOMETRIC DATA	see p. 805

POWER / POWER SUPPLY CODE	60W 48Vdc + DMX512 1000 mm pitch 50 RV5000 7 ■ V
OPTICS	S - 13° M - 33° L - 47°
LED COLOUR	RGBW
LUMEN OUTPUT AT SOURCE	6468 lm, R: 1316 lm G: 2044 lm B: 756 lm W: 2352 lm (4000K)
DELIVERED LUMEN OUTPUT	4620 lm, R: 940 lm G: 1460 lm B: 540 lm W: 1680 lm (4000K, 33°)
NO. AND TYPE OF LED	80 power LEDs (20 power LEDs 4000K, 60 power LEDs RGB) pitch 50 mm 50000h L90 B10 (Ta 25°C)
MATERIAL	body in anodized aluminium screen in tempered, transparent glass
POWER SUPPLY UNIT	not included, see p. 134
POWER CABLES	includes 1x1.5 m neoprene cable H07RN-F 2x1.00 Ø8.7 mm and 2x1.5 m neoprene cables 05RN-F 4x0.50 Ø5.8 mm
MOUNTING	recessed (wall, ground)
ACCESSORIES	see p. 134
PHOTOMETRIC DATA	see p. 805

RIVER WALL 1



RIVER WALL 1.0



Required brackets, not included



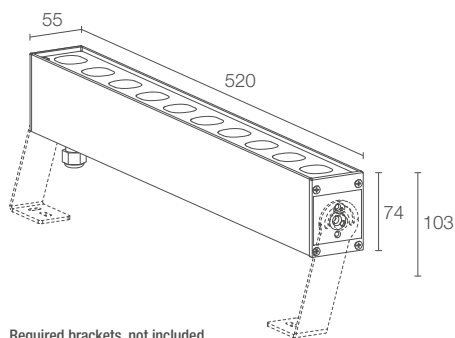
POWER / POWER SUPPLY CODE	20W 230Vac 520 mm pitch 50 RW1010 ■ ■ F Grey
LED COLOUR	F - 2700K 5 - 3000K 9 - 4000K 0 - 5000K 1 - blue
OPTICS	S - 11° M - 30° L - 47° W - 10°x40°
LUMEN OUTPUT AT SOURCE	1450 lm (3000K)
DELIVERED LUMEN OUTPUT	1050 lm (3000K, 30°)
NO. AND TYPE OF LED	10 power LEDs pitch 50 mm 1/4 ANSI BIN (white LED colour) 50000h L90 B10 (Ta 25°C)
MATERIAL	body in anodized aluminium screen in tempered, transparent glass
POWER SUPPLY UNIT	built in
POWER CABLES	includes 1.5 m neoprene cable H07RN-F 3x1.00 Ø9.3 mm
MOUNTING	surface mounted (ceiling, wall, ground) with brackets
ACCESSORIES	see p. 134
NOTES	DALI and 1-10V versions, and in/out connection, available on request
PHOTOMETRIC DATA	see p. 805

✓
RIVER WALL 1.0
3000K, 20W, 10°x40°, with brackets





RIVER WALL 1.1



Required brackets, not included



20W 230Vac 520 mm pitch 50
RW1110 ■ **V1 F** Grey

■ **F** - 2700K
5 - 3000K
9 - 4000K
0 - 5000K
1 - blue

wall washer

1450 lm (3000K)

1049 lm (3000K)

10 power LEDs pitch 50 mm
1/4 ANSI BIN (white LED colour)
50000h L90 B10 (Ta 25°C)

body in anodized aluminium
screen in tempered, transparent glass

built in

includes 1.5 m neoprene cable
H07RN-F 3x1.00 Ø9.3 mm

surface mounted (ceiling, wall, ground) with brackets

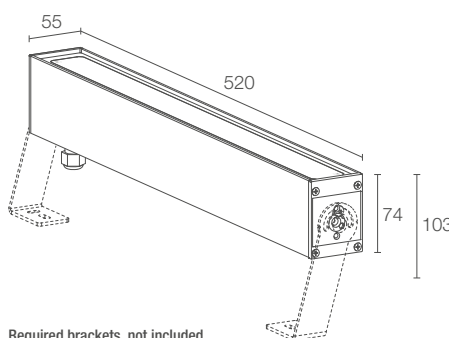
see p. 134

DALI and 1-10V versions, and in/out connection,
available on request

see p. 805



RIVER WALL 1.2



Required brackets, not included



10W 230Vac 520 mm
RW1210 ■ **D F** Grey

■ **F** - 2700K
5 - 3000K
9 - 4000K

diffuse

924 lm (3000K)

473 lm (3000K)

66 SMD mid-power LEDs
3-step MacAdam
50000h L90 B10 (Ta 25°C)

body in anodized aluminium
screen in acid-etched, tempered extra-clear glass

built in

includes 1.5 m neoprene cable
H07RN-F 3x1.00 Ø9.3 mm

surface mounted (ceiling, wall, ground) with brackets

see p. 134

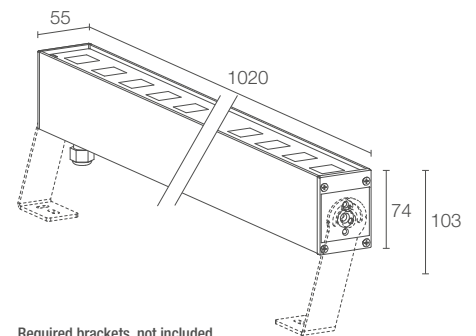
DALI and 1-10V versions, and in/out connection,
available on request

see p. 805

RIVER WALL 2



RIVER WALL 2.0



Required brackets, not included



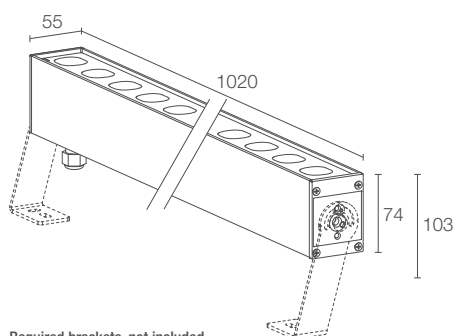
POWER / POWER SUPPLY CODE	40W 230Vac 1020 mm pitch 50 RW2010 ■ ■ F Grey
LED COLOUR	F - 2700K 5 - 3000K 9 - 4000K 0 - 5000K 1 - blue
OPTICS	S - 11° M - 30° L - 47° W - 10°x40°
LUMEN OUTPUT AT SOURCE	2900 lm (3000K)
DELIVERED LUMEN OUTPUT	2100 lm (3000K, 30°)
NO. AND TYPE OF LED	20 power LEDs pitch 50 mm 1/4 ANSI BIN (white LED colour) 50000h L90 B10 (Ta 25°C)
MATERIAL	body in anodized aluminium screen in tempered, transparent glass
POWER SUPPLY UNIT	built in
POWER CABLES	includes 1.5 m neoprene cable H07RN-F 3x1.00 Ø9.3 mm
MOUNTING	surface mounted (ceiling, wall, ground) with brackets
ACCESSORIES	see p. 134
NOTES	DALI and 1-10V versions, and in/out connection, available on request
PHOTOMETRIC DATA	see p. 805



RIVER WALL 2.1



RIVER WALL 2.2



Required brackets, not included



40W 230Vac 1020 mm pitch 50
RW2110 V1 F Grey

F - 2700K
5 - 3000K
9 - 4000K
0 - 5000K
1 - blue

wall washer

2900 lm (3000K)

2098 lm (3000K)

20 power LEDs pitch 50 mm
1/4 ANSI BIN (white LED colour)
50000h L90 B10 (Ta 25°C)

body in anodized aluminium
screen in tempered, transparent glass

built in

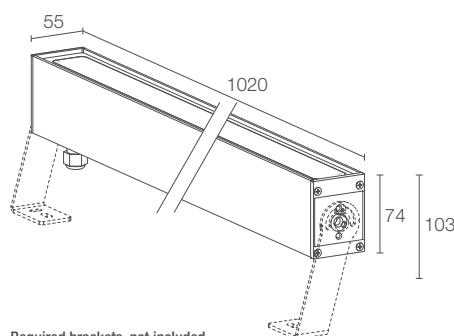
includes 1.5 m neoprene cable
H07RN-F 3x1.00 Ø9.3 mm

surface mounted (ceiling, wall, ground) with brackets

see p. 134

DALI and 1-10V versions, and in/out connection,
available on request

see p. 805



Required brackets, not included



20W 230Vac 1020 mm
RW2210 D F Grey

F - 2700K
5 - 3000K
9 - 4000K

diffuse

1848 lm (3000K)

946 lm (3000K)

132 SMD mid-power LEDs
3-step MacAdam
50000h L90 B10 (Ta 25°C)

body in anodized aluminium
screen in acid-etched, tempered extra-clear glass

built in

includes 1.5 m neoprene cable
H07RN-F 3x1.00 Ø9.3 mm

surface mounted (ceiling, wall, ground) with brackets

see p. 134

DALI and 1-10V versions, and in/out connection,
available on request

see p. 805



Î l e d e l a R é u n i o n

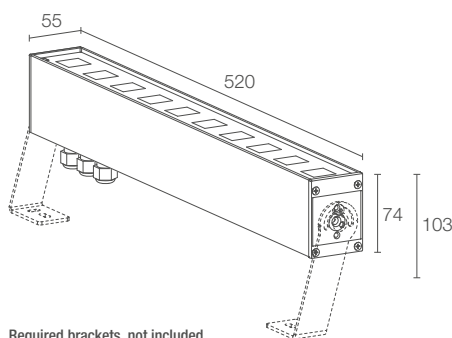
< RIVER WALL 5.0
RGBW, 60W, 33°, grey

Light planning by / Agence Stéphanie Daniel
Photo by / Michel Gantner
Antenne de Paris du Département
de La Réunion, Paris, France

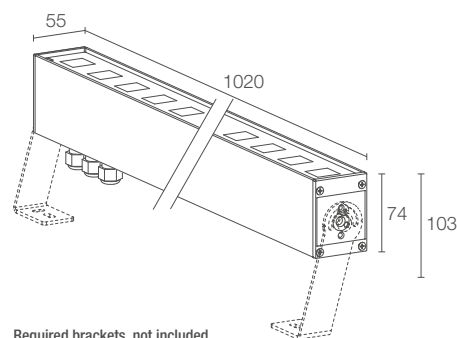
RIVER WALL 4 / 5



RIVER WALL 4.0



RIVER WALL 5.0

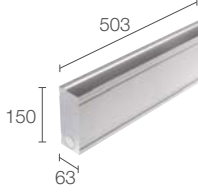
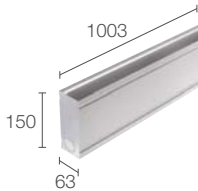


POWER / POWER SUPPLY CODE	30W 48Vdc + DMX512 520 mm pitch 50 RW4000 7 ■ F Grey
OPTICS	S - 13° M - 33° L - 47°
LED COLOUR	RGBW
LUMEN OUTPUT AT SOURCE	3234 lm, R: 658 lm G: 1022 lm B: 378 lm W: 1176 lm (4000K)
DELIVERED LUMEN OUTPUT	2310 lm, R: 470 lm G: 730 lm B: 270 lm W: 840 lm (4000K, 33°)
NO. AND TYPE OF LED	40 power LEDs (10 power LEDs 4000K, 30 power LEDs RGB) pitch 50 50000h L90 B10 (Ta 25°C)
MATERIAL	body in anodized aluminium screen in tempered, transparent glass
POWER SUPPLY UNIT	not included, see p. 134
POWER CABLES	includes 1x1.5 m neoprene cable H07RN-F 2x1.00 Ø8.7 mm and 2x1.5 m neoprene cables 05RN-F 4x0.50 Ø5.8 mm
MOUNTING	surface mounted (ceiling, wall, ground) with brackets
ACCESSORIES	see p. 134
PHOTOMETRIC DATA	see p. 805

POWER / POWER SUPPLY CODE	60W 48Vdc + DMX512 1020 mm pitch 50 RW5000 7 ■ F Grey
OPTICS	S - 13° M - 33° L - 47°
LED COLOUR	RGBW
LUMEN OUTPUT AT SOURCE	6468 lm, R: 1316 lm G: 2044 lm B: 756 lm W: 2352 lm (4000K)
DELIVERED LUMEN OUTPUT	4620 lm, R: 940 lm G: 1460 lm B: 540 lm W: 1680 lm (4000K, 33°)
NO. AND TYPE OF LED	80 power LEDs (20 power LEDs 4000K, 60 power LEDs RGB) pitch 50 50000h L90 B10 (Ta 25°C)
MATERIAL	body in anodized aluminium screen in tempered, transparent glass
POWER SUPPLY UNIT	not included, see p. 134
POWER CABLES	includes 1x1.5 m neoprene cable H07RN-F 2x1.00 Ø8.7 mm and 2x1.5 m neoprene cables 05RN-F 4x0.50 Ø5.8 mm
MOUNTING	surface mounted (ceiling, wall, ground) with brackets
ACCESSORIES	see p. 134
PHOTOMETRIC DATA	see p. 805

RIVER / RIVER WALL

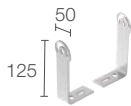
ACCESSORIES AND POWER SUPPLY UNITS

	RIVER 1.0	RIVER 1.1	RIVER 1.2	RIVER 2.0	RIVER 2.1	RIVER 2.2	RIVER 4.0	RIVER 5.0
ACCESSORIES FOR INSTALLATION								
 <p>Outer casing</p>	WC6050 503 mm	WC6050 503 mm	WC6050 503 mm				WC6050 503 mm	
 <p>Outer casing</p>				WC6100 1003 mm	WC6100 1003 mm	WC6100 1003 mm		WC6100 1003 mm

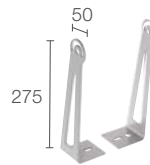
ACCESSORIES FOR INSTALLATION



WN6005
Alignment kit
for outer casings
(River)



WM0811
Pair of brackets h 125 mm
(River Wall)



WM0812
Pair of brackets h 275 mm
(River Wall)

POWER SUPPLY UNITS River 4.0 / 5.0; River Wall 4.0 / 5.0

Max no. fixtures	PSU	IP	Page
1...n	48Vdc + DMX controller	67	847 859 860



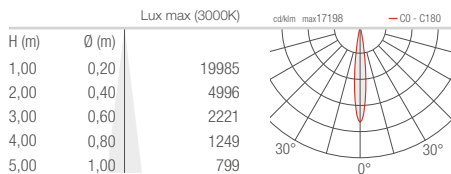


RIVER / RIVER WALL

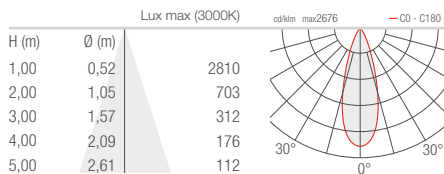
OUTDOOR LINEAR PROFILES

RIVER 1.0 RIVER WALL 1.0

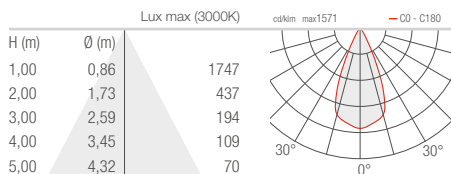
S - 11°



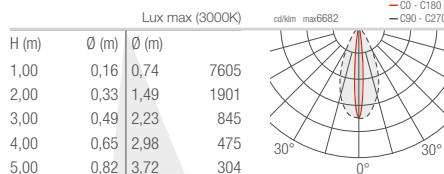
M - 30°



L - 47°

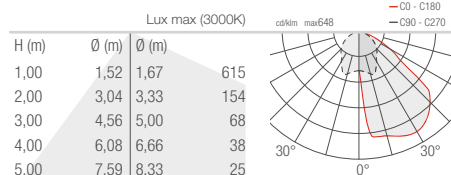


W - 10°x40°



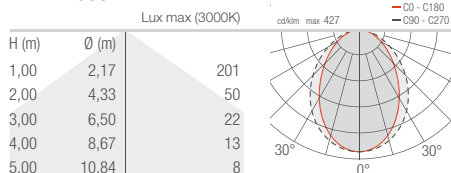
RIVER 1.1 RIVER WALL 1.1

V1 - Wall washer



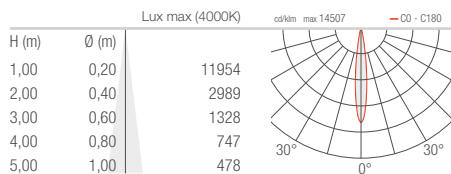
RIVER 1.2 RIVER WALL 1.2

D - Diffuse

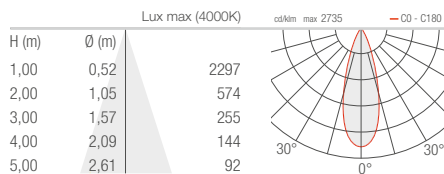


RIVER 4.0 RIVER WALL 4.0

S - 13°



M - 33°



L - 47°

