



# SNACK

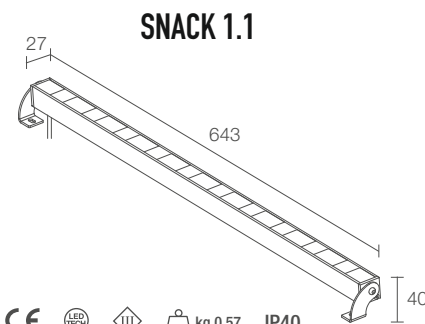
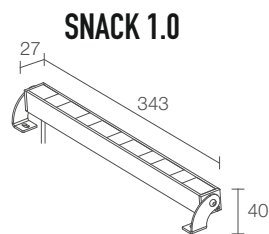
INDOOR LINEAR PROFILES  
ON A BRACKET, WITH WHITE AND RGB LIGHT

	343 mm	643 mm 703 mm	943 mm 1063 mm	1243 mm 1423 mm
<p><b>DIFFUSE OR 60 mm PITCH</b></p> <p>2700K 3000K 4000K</p>  <p>2700K 3000K 4000K</p>  <p>ultra-narrow narrow medium elliptical diffuse</p>	 <p><b>SNACK 1.0</b> p. 648 5W 24Vdc (diffuse version) 9W 24Vdc (optics version)</p>	 <p><b>SNACK 1.1</b> p. 648 9W 24Vdc (diffuse version) 18W 24Vdc (optics version)</p>	 <p><b>SNACK 1.2</b> p. 649 14W 24Vdc (diffuse version) 27W 24Vdc (optics version)</p>	 <p><b>SNACK 1.3</b> p. 649 18W 24Vdc (diffuse version) 36W 24Vdc (optics version)</p>
<p><b>PITCH 120 mm</b></p> <p>2700K 3000K 4000K</p>  <p>2700K 3000K 4000K</p>  <p>ultra-narrow narrow medium elliptical</p>	 <p><b>SNACK 2.0</b> p. 650 6W 24Vdc</p>	 <p><b>SNACK 2.1</b> p. 650 11W 24Vdc</p>	 <p><b>SNACK 2.2</b> p. 651 16W 24Vdc</p>	 <p><b>SNACK 2.3</b> p. 651 22W 24Vdc</p>
<p><b>PITCH 120 mm</b></p> <p>RGB</p>  <p>RGB</p>  <p>narrow medium wide elliptical</p>	 <p><b>SNACK 3.0</b> p. 652 10W 24Vdc</p>	 <p><b>SNACK 3.1</b> p. 652 20W 24Vdc</p>	 <p><b>SNACK 3.2</b> p. 653 30W 24Vdc</p>	 <p><b>SNACK 3.3</b> p. 653 40W 24Vdc</p>



^  
**SNACK 1.1**  
 3000K, 18W, 10°x45°  
 anodized grey

Project by / Atelier d'Architecture  
 Emmanuel Nebout  
 Photo by / Mathieu Ducros  
 Le Kiasma, Castelnau-le-Lez, France



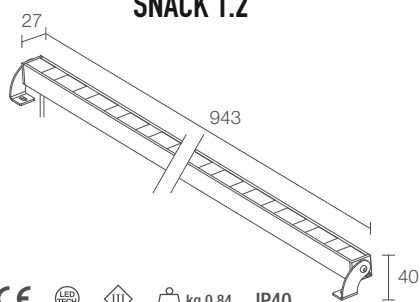
<b>POWER / POWER SUPPLY CODE</b>	5W 24Vdc 343 mm diffuse <b>SK1000</b> ■ <b>D B</b> White <b>SK1000</b> ■ <b>D A</b> Anodized grey  9W 24Vdc 343 mm pitch 60 <b>SK1000</b> ■ <b>B</b> White <b>SK1000</b> ■ <b>A</b> Anodized grey
<b>LED COLOUR</b>	<b>F</b> - 2700K <b>5</b> - 3000K <b>9</b> - 4000K
<b>OPTICS</b>	<b>T</b> - 7° <b>S</b> - 10° <b>F</b> - 30° <b>W</b> - 10°x45°
<b>LUMEN OUTPUT AT SOURCE</b>	588 lm (3000K, diffuse version) 695 lm (3000K, optics version)
<b>DELIVERED LUMEN OUTPUT</b>	285 lm (3000K, diffuse optics) 425 lm (3000K, 30°)
<b>NO. AND TYPE OF LED</b>	power LED matrix 3-step MacAdam (diffuse version) 5 power LEDs, pitch 60 mm 2-step MacAdam (optics version) 50000h L90 B10 (Ta 25°C)
<b>MATERIAL</b>	body in anodized aluminium screen in opal polycarbonate (diffuse version) screen in transparent, serigraphed polycarbonate (optics version)
<b>POWER SUPPLY UNIT</b>	not included, see p. 847
<b>POWER CABLES</b>	includes 1.5 m PVC cable FROR 2x0.35 Ø3.5 mm
<b>MOUNTING</b>	surface mounted (ceiling, wall, floor)
<b>NOTES</b>	non-standard lengths available on request
<b>PHOTOMETRIC DATA</b>	see p. 816

<b>POWER / POWER SUPPLY CODE</b>	9W 24Vdc 643 mm diffuse <b>SK1100</b> ■ <b>D B</b> White <b>SK1100</b> ■ <b>D A</b> Anodized grey  18W 24Vdc 643 mm pitch 60 <b>SK1100</b> ■ <b>B</b> White <b>SK1100</b> ■ <b>A</b> Anodized grey
<b>LED COLOUR</b>	<b>F</b> - 2700K <b>5</b> - 3000K <b>9</b> - 4000K
<b>OPTICS</b>	<b>T</b> - 7° <b>S</b> - 10° <b>F</b> - 30° <b>W</b> - 10°x45°
<b>LUMEN OUTPUT AT SOURCE</b>	1176 lm (3000K, diffuse version) 1390 lm (3000K, optics version)
<b>DELIVERED LUMEN OUTPUT</b>	570 lm (3000K, diffuse optics) 850 lm (3000K, 30°)
<b>NO. AND TYPE OF LED</b>	power LED matrix 3-step MacAdam (diffuse version) 10 power LEDs, pitch 60 mm 2-step MacAdam (optics version) 50000h L90 B10 (Ta 25°C)
<b>MATERIAL</b>	body in anodized aluminium screen in opal polycarbonate (diffuse version) screen in transparent, serigraphed polycarbonate (optics version)
<b>POWER SUPPLY UNIT</b>	not included, see p. 847
<b>POWER CABLES</b>	includes 1.5 m PVC cable FROR 2x0.35 Ø3.5 mm
<b>MOUNTING</b>	surface mounted (ceiling, wall, floor)
<b>NOTES</b>	non-standard lengths available on request
<b>PHOTOMETRIC DATA</b>	see p. 816

# SNACK 1



## SNACK 1.2



CE LED TECH III kg 0.84 IP40  
A A+ A++ NTC

14W 24Vdc 943 mm diffuse  
**SK1200** D B White  
**SK1200** D A Anodized grey  
 27W 24Vdc 943 mm pitch 60  
**SK1200** B White  
**SK1200** A Anodized grey

■	F - 2700K 5 - 3000K 9 - 4000K
■	T - 7° S - 10° F - 30° W - 10°x45°

1764 lm (3000K, diffuse version)  
2085 lm (3000K, optics version)

855 lm (3000K, diffuse optics)  
1275 lm (3000K, 30°)

power LED matrix  
3-step MacAdam (diffuse version)  
15 power LEDs, pitch 60 mm  
2-step MacAdam (optics version)  
50000h L90 B10 (Ta 25°C)

body in anodized aluminium  
screen in opal polycarbonate (diffuse version)  
screen in transparent, serigraphed polycarbonate (optics version)

not included, see p. 847

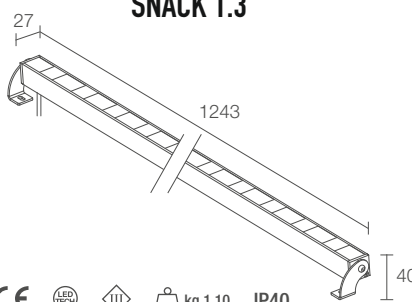
includes 1.5 m PVC cable  
FROR 2x0.35 Ø3.5 mm

surface mounted (ceiling, wall, floor)

non-standard lengths available on request

see p. 816

## SNACK 1.3



CE LED TECH III kg 1.10 IP40  
A A+ A++ NTC

18W 24Vdc 1243 mm diffuse  
**SK1300** D B White  
**SK1300** D A Anodized grey  
 36W 24Vdc 1243 mm pitch 60  
**SK1300** B White  
**SK1300** A Anodized grey

■	F - 2700K 5 - 3000K 9 - 4000K
■	T - 7° S - 10° F - 30° W - 10°x45°

2352 lm (3000K, diffuse version)  
2780 lm (3000K, optics version)

1140 lm (3000K, diffuse optics)  
1700 lm (3000K, 30°)

power LED matrix  
3-step MacAdam (diffuse version)  
20 power LEDs, pitch 60 mm  
2-step MacAdam (optics version)  
50000h L90 B10 (Ta 25°C)

body in anodized aluminium  
screen in opal polycarbonate (diffuse version)  
screen in transparent, serigraphed polycarbonate (optics version)

not included, see p. 847

includes 1.5 m PVC cable  
FROR 2x0.35 Ø3.5 mm

surface mounted (ceiling, wall, floor)

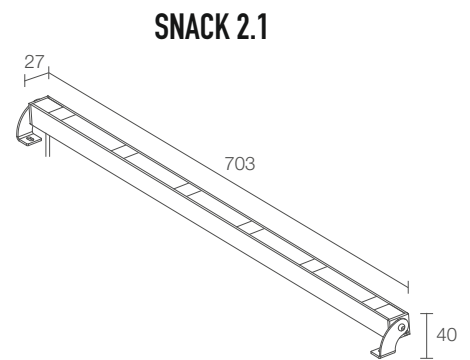
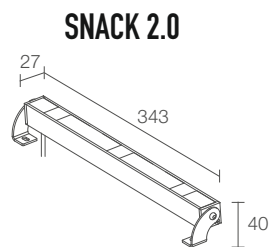
non-standard lengths available on request

see p. 816



^  
**SNACK 2.1**  
 2700K, 11W, 10°x45°  
 anodized grey  
**SNACK 2.3**  
 2700K, 22W, 10°x45°  
 anodized grey

Project by / Elastic Architects  
 Light planning by / Thanos Danilof  
 Sofitel Athens Airport  
 Spata, Athens, Greece



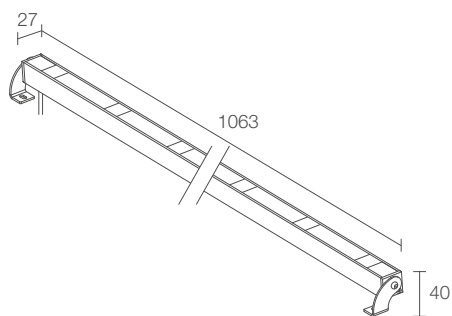
<b>POWER / POWER SUPPLY CODE</b>	6W 24Vdc 343 mm pitch 120 <b>SK2000</b> ■ ■ B White <b>SK2000</b> ■ ■ A Anodized grey
<b>LED COLOUR</b>	F - 2700K 5 - 3000K 9 - 4000K
<b>OPTICS</b>	T - 7° S - 10° F - 30° W - 10°x45°
<b>LUMEN OUTPUT AT SOURCE</b>	417 lm (3000K)
<b>DELIVERED LUMEN OUTPUT</b>	255 lm (3000K, 30°)
<b>NO. AND TYPE OF LED</b>	3 power LEDs, pitch 120 mm 2-step MacAdam 50000h L90 B10 (Ta 25°C)
<b>MATERIAL</b>	body in anodized aluminium screen in transparent, serigraphed polycarbonate
<b>POWER SUPPLY UNIT</b>	not included, see p. 847
<b>POWER CABLES</b>	includes 1.5 m PVC cable FROR 2x0.35 Ø3.5 mm
<b>MOUNTING</b>	surface mounted (ceiling, wall, floor)
<b>NOTES</b>	non-standard lengths available on request
<b>PHOTOMETRIC DATA</b>	see p. 816

<b>POWER / POWER SUPPLY CODE</b>	11W 24Vdc 703 mm pitch 120 <b>SK2100</b> ■ ■ B White <b>SK2100</b> ■ ■ A Anodized grey
<b>LED COLOUR</b>	F - 2700K 5 - 3000K 9 - 4000K
<b>OPTICS</b>	T - 7° S - 10° F - 30° W - 10°x45°
<b>LUMEN OUTPUT AT SOURCE</b>	835 lm (3000K)
<b>DELIVERED LUMEN OUTPUT</b>	510 lm (3000K, 30°)
<b>NO. AND TYPE OF LED</b>	6 power LEDs, pitch 120 mm 2-step MacAdam 50000h L90 B10 (Ta 25°C)
<b>MATERIAL</b>	body in anodized aluminium screen in transparent, serigraphed polycarbonate
<b>POWER SUPPLY UNIT</b>	not included, see p. 847
<b>POWER CABLES</b>	includes 1.5 m PVC cable FROR 2x0.35 Ø3.5 mm
<b>MOUNTING</b>	surface mounted (ceiling, wall, floor)
<b>NOTES</b>	non-standard lengths available on request
<b>PHOTOMETRIC DATA</b>	see p. 816

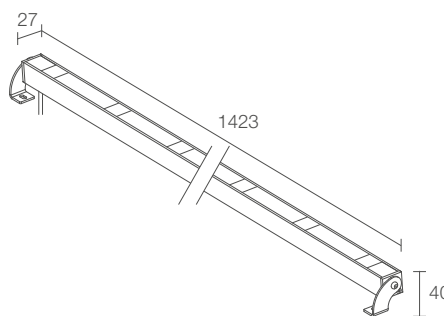
# SNACK 2



**SNACK 2.2**



**SNACK 2.3**



CE LED TECH III kg 0.84 IP40  
A A+ A++ NTC

CE LED TECH III kg 1.10 IP40  
A A+ A++ NTC

16W 24Vdc 1063 mm pitch 120

SK2200 B White

SK2200 A Anodized grey

22W 24Vdc 1423 mm pitch 120

SK2300 B White

SK2300 A Anodized grey

F - 2700K  
5 - 3000K  
9 - 4000K

F - 2700K  
5 - 3000K  
9 - 4000K

T - 7°  
S - 10°  
F - 30°  
W - 10°x45°

T - 7°  
S - 10°  
F - 30°  
W - 10°x45°

1252 lm (3000K)

1670 lm (3000K)

765 lm (3000K, 30°)

1020 lm (3000K, 30°)

9 power LEDs, pitch 120 mm  
2-step MacAdam  
50000h L90 B10 (Ta 25°C)

12 power LEDs, pitch 120 mm  
2-step MacAdam  
50000h L90 B10 (Ta 25°C)

body in anodized aluminium  
screen in transparent, serigraphed polycarbonate

body in anodized aluminium  
screen in transparent, serigraphed polycarbonate

not included, see p. 847

not included, see p. 847

includes 1.5 m PVC cable  
FROR 2x0.35 Ø3.5 mm

includes 1.5 m PVC cable  
FROR 2x0.35 Ø3.5 mm

surface mounted (ceiling, wall, floor)

surface mounted (ceiling, wall, floor)

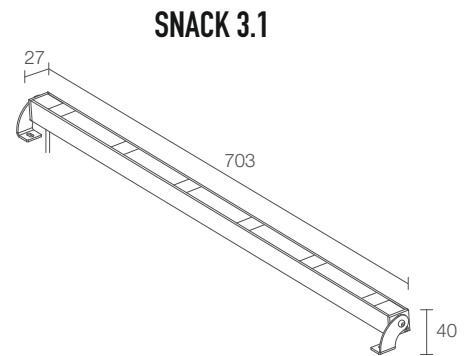
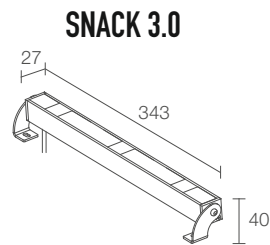
non-standard lengths available on request

non-standard lengths available on request

see p. 816

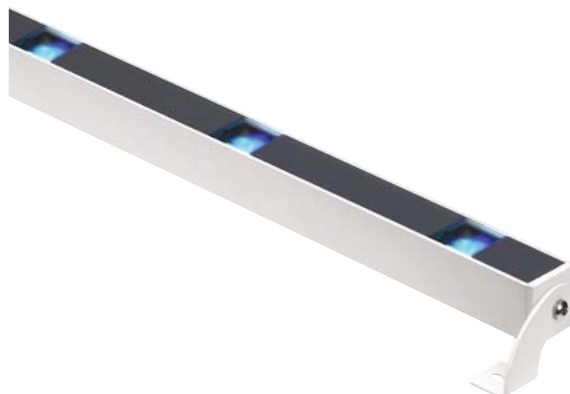
see p. 816

# SNACK 3

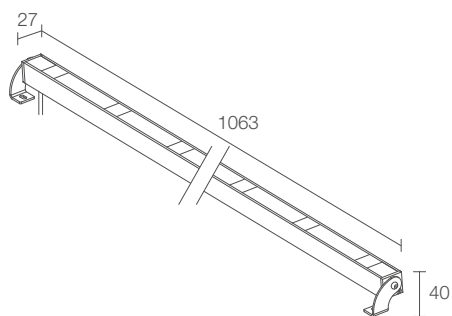


<b>POWER / POWER SUPPLY CODE</b>	10W 24Vdc 343 mm pitch 120 <b>SK3000 6 B</b> White <b>SK3000 6 A</b> Anodized grey
<b>OPTICS</b>	<b>S</b> - 18° <b>M</b> - 26° <b>L</b> - 32° <b>W</b> - 22°x42°
<b>LED COLOUR</b>	RGB
<b>LUMEN OUTPUT AT SOURCE</b>	870 lm, R: 145 lm G: 435 lm B: 290 lm
<b>DELIVERED LUMEN OUTPUT</b>	458 lm, R: 76 lm G: 229 lm B: 153 lm (26°)
<b>NO. AND TYPE OF LED</b>	3 RGB LED groups pitch 120 mm 50000h L90 B10 (Ta 25°C)
<b>MATERIAL</b>	body in anodized aluminium screen in transparent, serigraphed polycarbonate
<b>POWER SUPPLY UNIT</b>	not included, see p. 847 and 855
<b>POWER CABLES</b>	includes 1.5 m PVC cable, FROR 4x0.50 Ø5.0 mm
<b>MOUNTING</b>	surface mounted (ceiling, wall, floor)
<b>NOTES</b>	non-standard lengths available on request
<b>PHOTOMETRIC DATA</b>	see p. 817

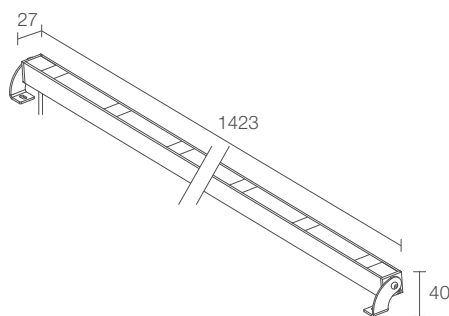
<b>POWER / POWER SUPPLY CODE</b>	20W 24Vdc 703 mm pitch 120 <b>SK3100 6 B</b> White <b>SK3100 6 A</b> Anodized grey
<b>OPTICS</b>	<b>S</b> - 18° <b>M</b> - 26° <b>L</b> - 32° <b>W</b> - 22°x42°
<b>LED COLOUR</b>	RGB
<b>LUMEN OUTPUT AT SOURCE</b>	1740 lm, R: 290 lm G: 870 lm B: 580 lm
<b>DELIVERED LUMEN OUTPUT</b>	916 lm, R: 152 lm G: 458 lm B: 306 lm (26°)
<b>NO. AND TYPE OF LED</b>	6 RGB LED groups pitch 120 mm 50000h L90 B10 (Ta 25°C)
<b>MATERIAL</b>	body in anodized aluminium screen in transparent, serigraphed polycarbonate
<b>POWER SUPPLY UNIT</b>	not included, see p. 847 and 855
<b>POWER CABLES</b>	includes 1.5 m PVC cable, FROR 4x0.50 Ø5.0 mm
<b>MOUNTING</b>	surface mounted (ceiling, wall, floor)
<b>NOTES</b>	non-standard lengths available on request
<b>PHOTOMETRIC DATA</b>	see p. 817



### SNACK 3.2



### SNACK 3.3



30W 24Vdc 1063 mm pitch 120  
**SK3200 6** ■ B White  
**SK3200 6** ■ A Anodized grey

40W 24Vdc 1423 mm pitch 120  
**SK3300 6** ■ B White  
**SK3300 6** ■ A Anodized grey

■ S - 18°  
M - 26°  
L - 32°  
W - 22°x42°

■ S - 18°  
M - 26°  
L - 32°  
W - 22°x42°

RGB

RGB

2953 lm, R: 434 lm G: 1303 lm B: 1216 lm

3935 lm, R: 578 lm G: 1736 lm B: 1621 lm

1374 lm, R: 228 lm G: 687 lm B: 459 lm (26°)

1832 lm, R: 304 lm G: 916 lm B: 612 lm (26°)

9 RGB LED groups pitch 120 mm  
50000h L90 B10 (Ta 25°C)

12 RGB LED groups pitch 120 mm  
50000h L90 B10 (Ta 25°C)

body in anodized aluminium  
screen in transparent, serigraphed polycarbonate

body in anodized aluminium  
screen in transparent, serigraphed polycarbonate

not included, see p. 847 and 855

not included, see p. 847 and 855

includes 1.5 m PVC cable,  
FROR 4x0.50 Ø5.0 mm

includes 1.5 m PVC cable,  
FROR 4x0.50 Ø5.0 mm

surface mounted (ceiling, wall, floor)

surface mounted (ceiling, wall, floor)

non-standard lengths available on request

non-standard lengths available on request

see p. 817

see p. 817

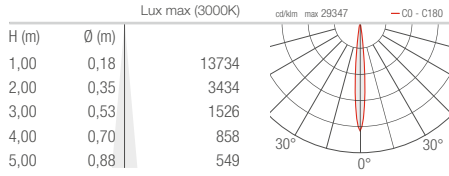


# SNACK

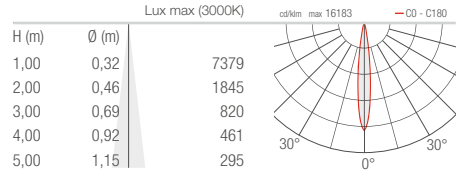
## INDOOR LINEAR PROFILES

### SNACK 1.0

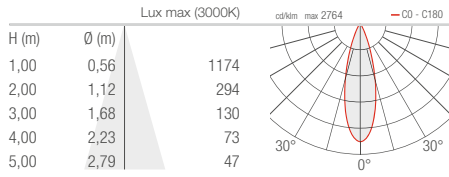
#### T - 7°



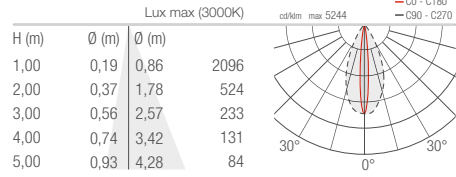
#### S - 10°



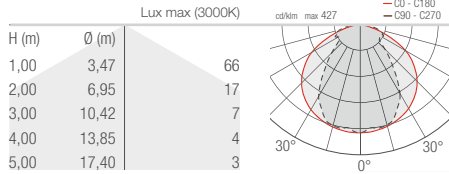
#### F - 30°



#### W - 10°x45°

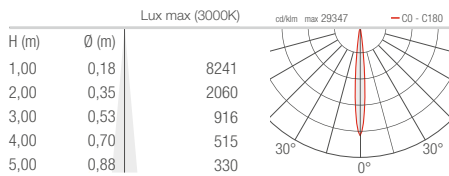


#### D - Diffuse

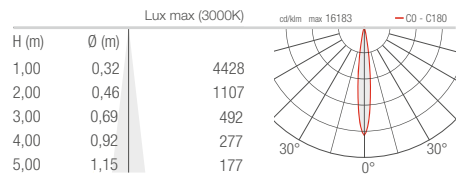


### SNACK 2.0

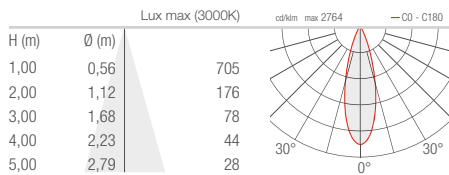
#### T - 7°



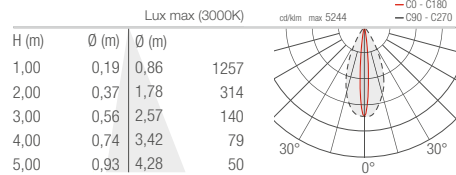
#### S - 10°



#### F - 30°



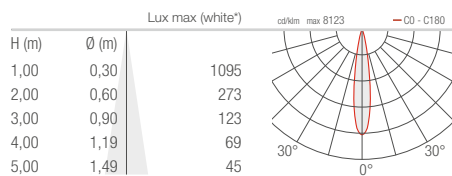
#### W - 10°x45°



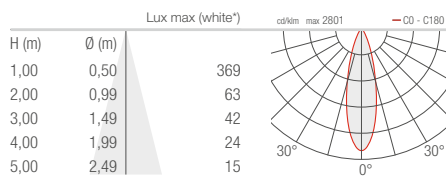


# SNACK 3.0

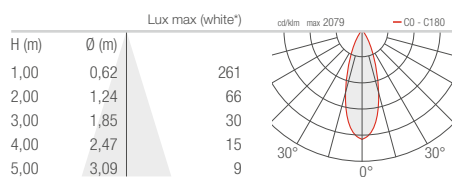
## S - 18°



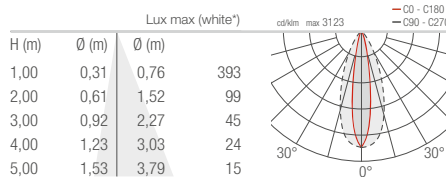
## M - 26°



## L - 32°



## W - 22°x42°



\* White created by mixing the colours