

INDOOR CEILING MOUNTED WITH DIFFUSE LIGHT

2700K 3000K 4000K



diffuse

SQUARE

80x80 mm



TEKO 5.0 p. 656
5W 230Vac
9W 230Vac

100x100 mm



TEKO 7.0 p. 657
9W 230Vac
17W 230Vac

ROUND

Ø80 mm

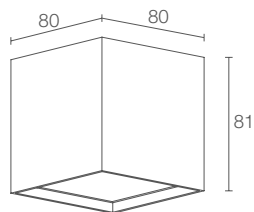


TEKO 5.1 p. 656
5W 230Vac
9W 230Vac

Ø100 mm



TEKO 7.1 p. 657
9W 230Vac



TEKO 5.0

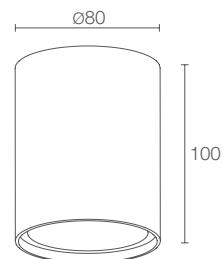


5W 230Vac
TK5010 ■ D B White
 9W 230Vac
TK5011 ■ D B White

■ LED COLOUR	F - 2700K 5 - 3000K 9 - 4000K
--------------	-------------------------------------

OPTICS	diffuse
--------	---------

LUMEN OUTPUT AT SOURCE	460 lm (3000K, 5W) 826 lm (3000K, 9W)
DELIVERED LUMEN OUTPUT	330 lm (3000K, 5W) 590 lm (3000K, 9W)
NO. AND TYPE OF LED	power LED matrix 3-step MacAdam, 50000h L80 B10 (Ta 25°C)
MATERIAL	body in anodized aluminium screen in one-side-frosted, transparent plexiglass
POWER SUPPLY UNIT	built in
POWER CABLES	terminal block
MOUNTING	surface mounted (ceiling)
NOTES	Casambi-compatible version, controllable with the Casambi app, available on request
PHOTOMETRIC DATA	see p. 894



TEKO 5.1

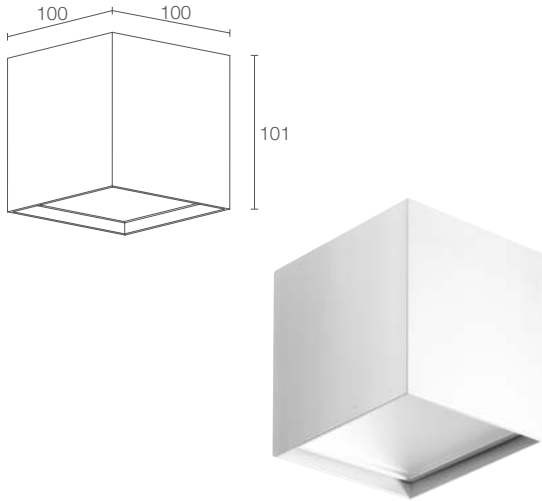


5W 230Vac
TK5110 ■ D B White
 9W 230Vac
TK5111 ■ D B White

■ LED COLOUR	F - 2700K 5 - 3000K 9 - 4000K
--------------	-------------------------------------

OPTICS	diffuse
--------	---------

LUMEN OUTPUT AT SOURCE	534 lm (3000K, 5W) 958 lm (3000K, 9W)
DELIVERED LUMEN OUTPUT	382 lm (3000K, 5W) 684 lm (3000K, 9W)
NO. AND TYPE OF LED	power LED matrix 3-step MacAdam, 50000h L80 B10 (Ta 25°C)
MATERIAL	body in anodized aluminium screen in one-side-frosted, transparent plexiglass
POWER SUPPLY UNIT	built in
POWER CABLES	terminal block
MOUNTING	surface mounted (ceiling)
NOTES	Casambi-compatible version, controllable with the Casambi app, available on request
PHOTOMETRIC DATA	see p. 894



TEKO 7.0

CE EAC LED TECH kg 0.60 IP40
 A A+ A++

9W 230Vac
TK7010 ■ D B White

17W 230Vac
TK7011 ■ D B White

■ F - 2700K
 5 - 3000K
 9 - 4000K

diffuse

826 lm (3000K, 9W)
 1565 lm (3000K, 17W)

590 lm (3000K, 9W)
 1119 lm (3000K, 17W)

power LED matrix
 3-step MacAdam, 50000h L80 B10 (Ta 25°C)

body in anodized aluminium
 screen in one-side-frosted, transparent plexiglass

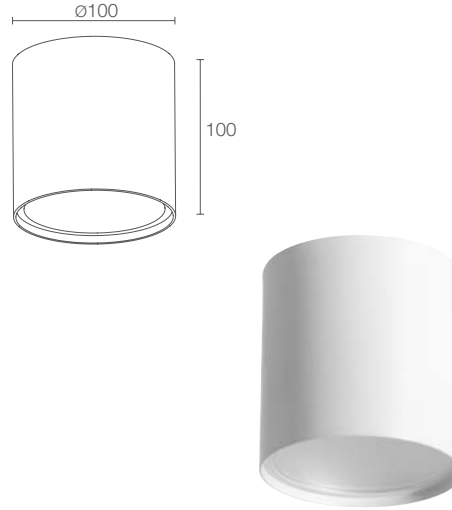
built in

terminal block

surface mounted (ceiling)

Casambi-compatible version, controllable with the Casambi app, available on request

see p. 894



TEKO 7.1

CE EAC LED TECH kg 0.76 IP40
 A A+ A++

9W 230Vac
TK7110 ■ D B White

■ F - 2700K
 5 - 3000K
 9 - 4000K

diffuse

958 lm (3000K)

684 lm (3000K)

power LED matrix
 3-step MacAdam, 50000h L80 B10 (Ta 25°C)

body in anodized aluminium
 screen in one-side-frosted, transparent plexiglass

built in

terminal block

surface mounted (ceiling)

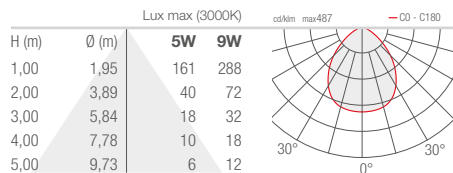
Casambi-compatible version, controllable with the Casambi app, available on request

see p. 894



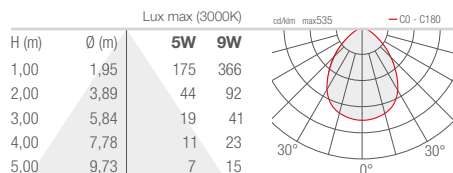
TEKO 5.0

D - Diffuse



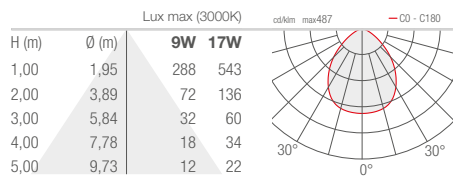
TEKO 5.1

D - Diffuse



TEKO 7.0

D - Diffuse



TEKO 7.1

D - Diffuse

