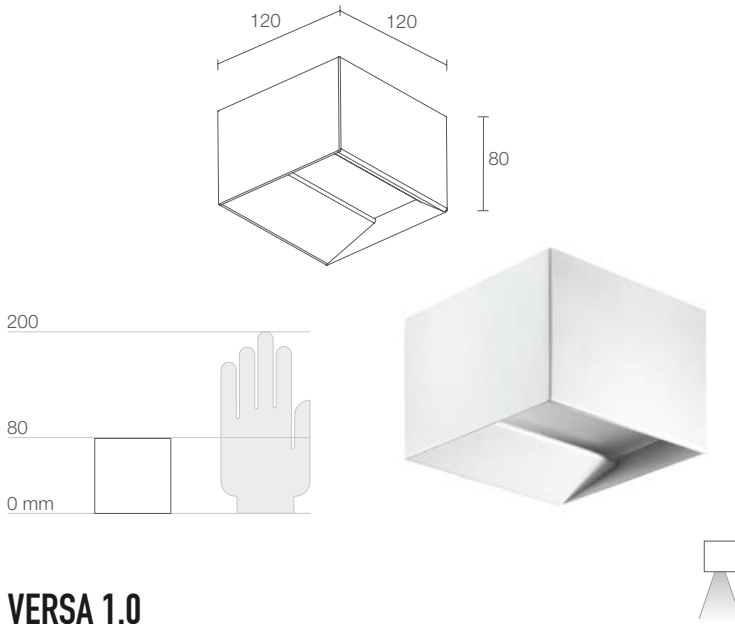


INDOOR WALL MOUNTED DIFFUSE LIGHT, SINGLE OR DOUBLE BEAM



VERSA 1.0

CE ENEC LED TECH kg 0.40 IP40
A A+ A++

POWER / POWER SUPPLY CODE 9W 230Vac
VR1010 D B White

LED COLOUR
F - 2700K
5 - 3000K
9 - 4000K

OPTICS diffuse

LUMEN OUTPUT AT SOURCE 745 lm (3000K)

DELIVERED LUMEN OUTPUT 530 lm (3000K)

NO. AND TYPE OF LED mid-power LED matrix
3-step MacAdam, 50000h L80 B10 (Ta 25°C)

MATERIAL body in steel
screen in one-side-frosted, transparent plexiglass

POWER SUPPLY UNIT built in

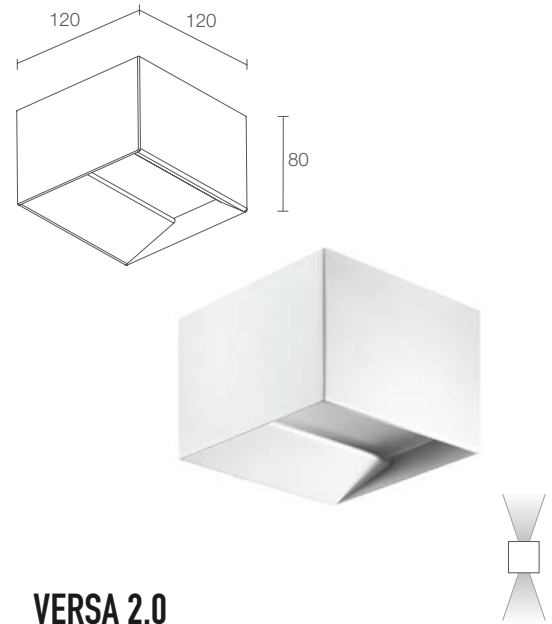
POWER CABLES terminal block

MOUNTING surface mounted (wall)

DESIGN BY arch. Enrico Novello

NOTES Casambi-compatible version, controllable with
the Casambi app, available on request

PHOTOMETRIC DATA see p. 899



VERSA 2.0

CE ENEC LED TECH kg 0.40 IP40
A A+ A++

18W 230Vac
VR2010 D B White

LED COLOUR
F - 2700K
5 - 3000K
9 - 4000K

OPTICS diffuse

LUMEN OUTPUT AT SOURCE 1646 lm (3000K)

DELIVERED LUMEN OUTPUT 1170 lm (3000K)

NO. AND TYPE OF LED mid-power LED matrix
3-step MacAdam, 50000h L80 B10 (Ta 25°C)

MATERIAL body in steel
screen in one-side-frosted, transparent plexiglass

POWER SUPPLY UNIT built in

POWER CABLES terminal block

MOUNTING surface mounted (wall)

DESIGN BY arch. Enrico Novello

NOTES Casambi-compatible version, controllable with
the Casambi app, available on request

PHOTOMETRIC DATA see p. 899

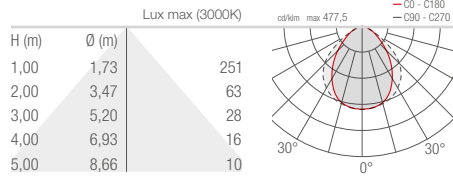


White

INDOOR WALL MOUNTED

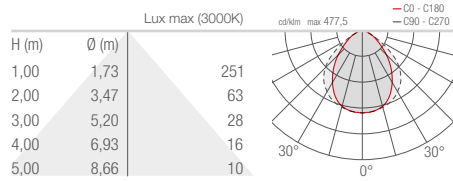
VERSA 1.0

D - Diffuse



VERSA 2.0

D - Diffuse, down beam



D - Diffuse, up beam

